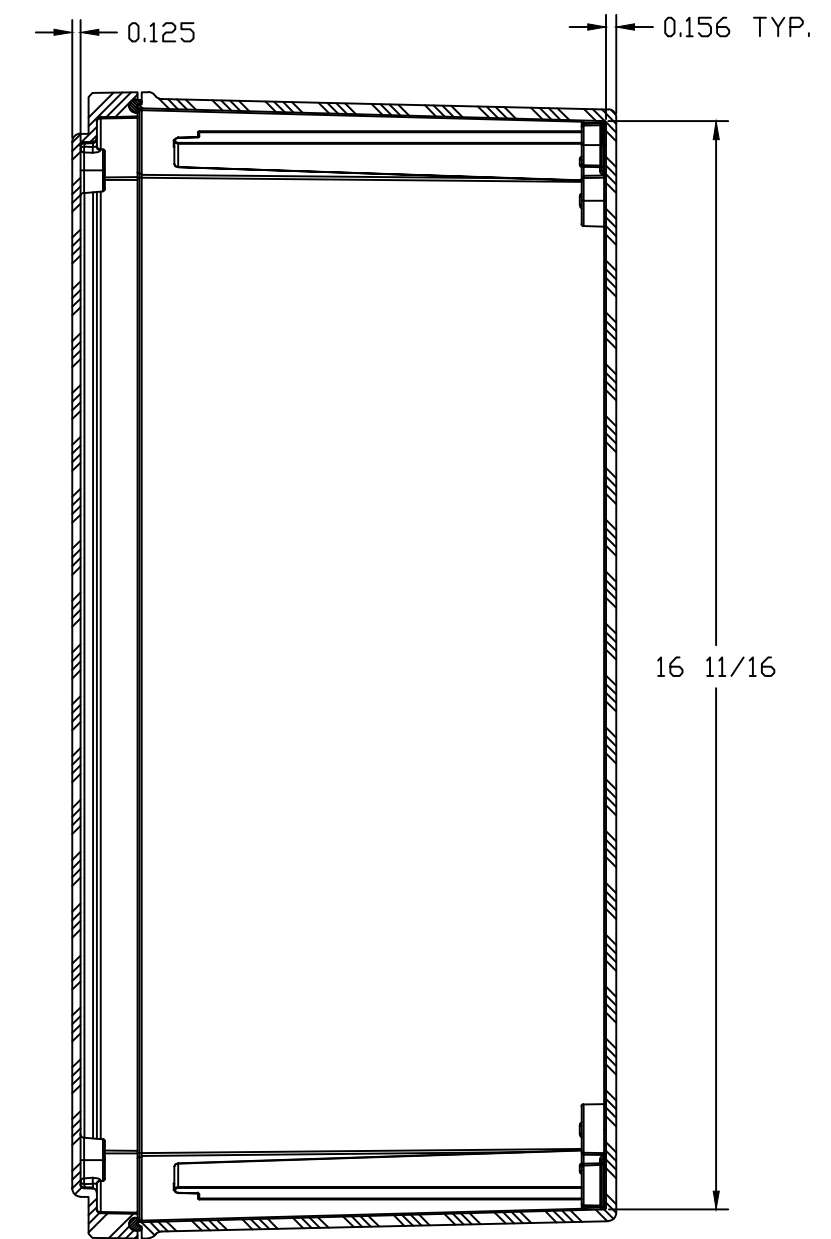
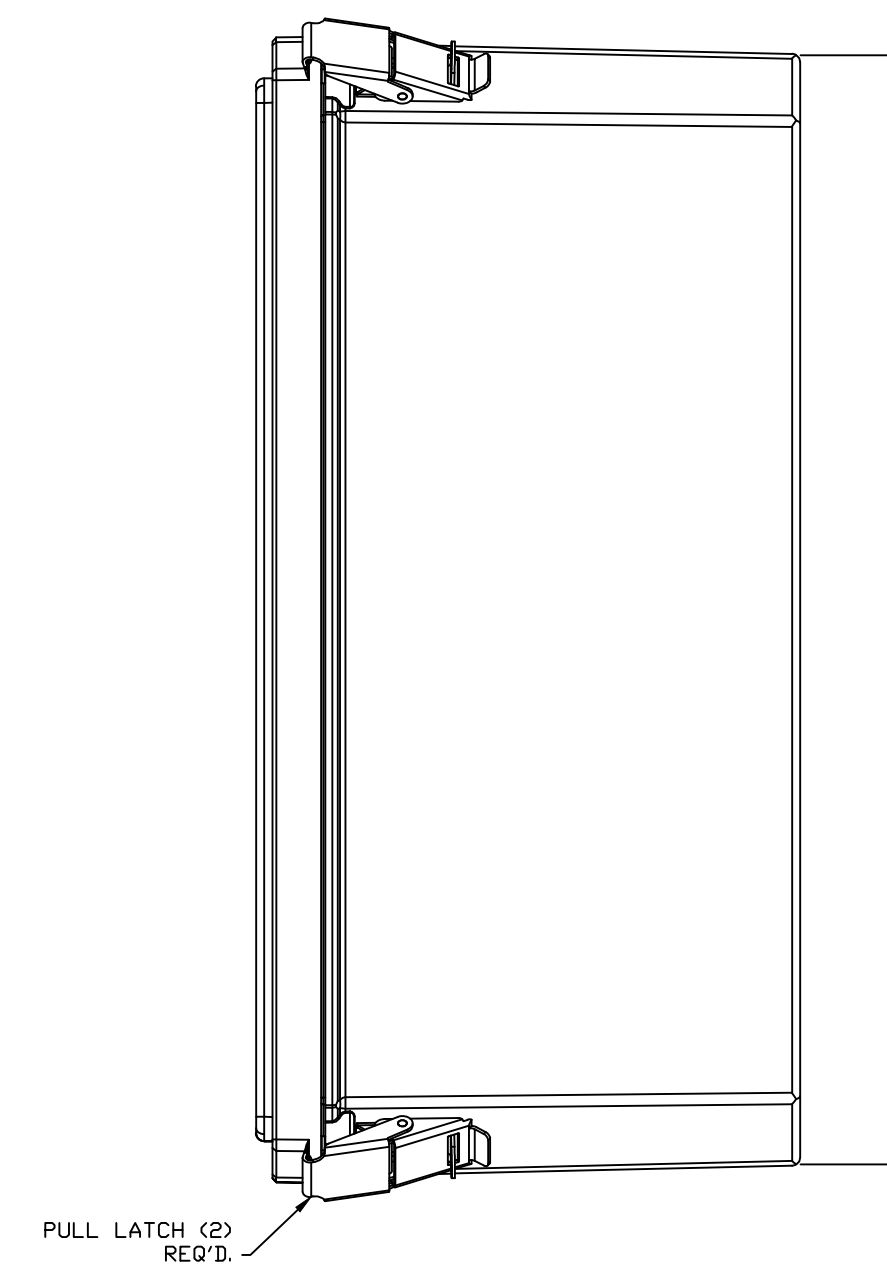
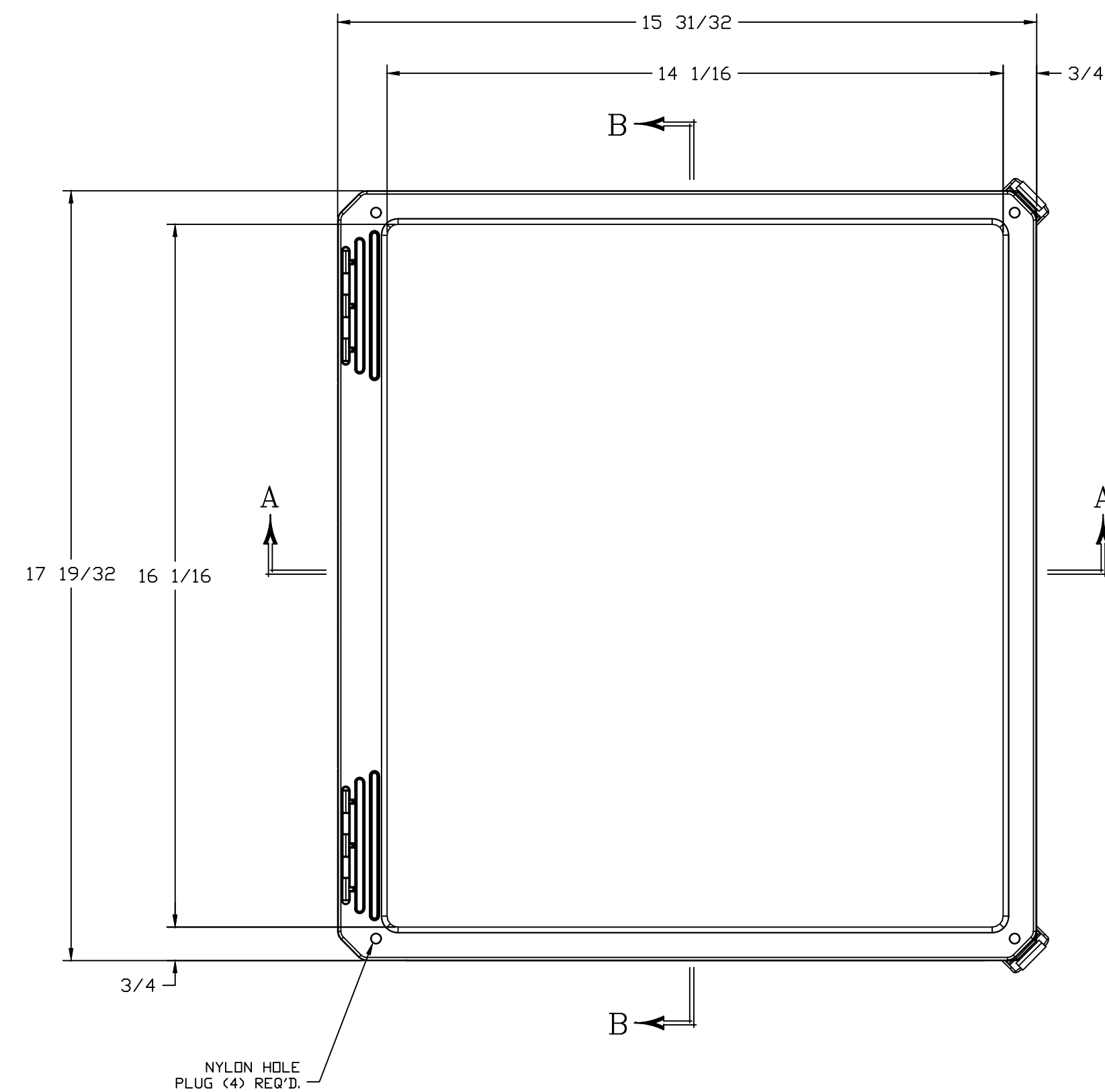
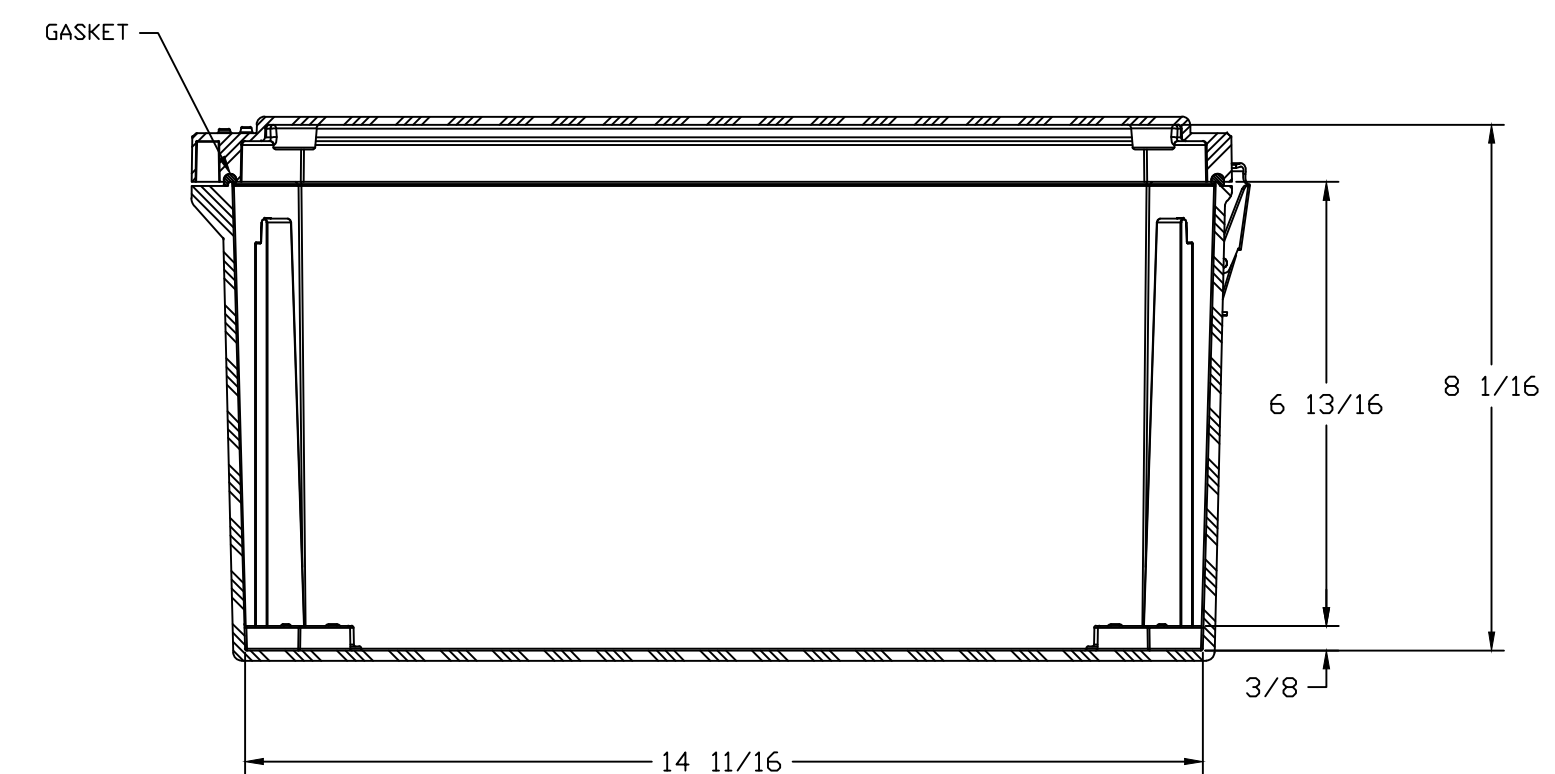
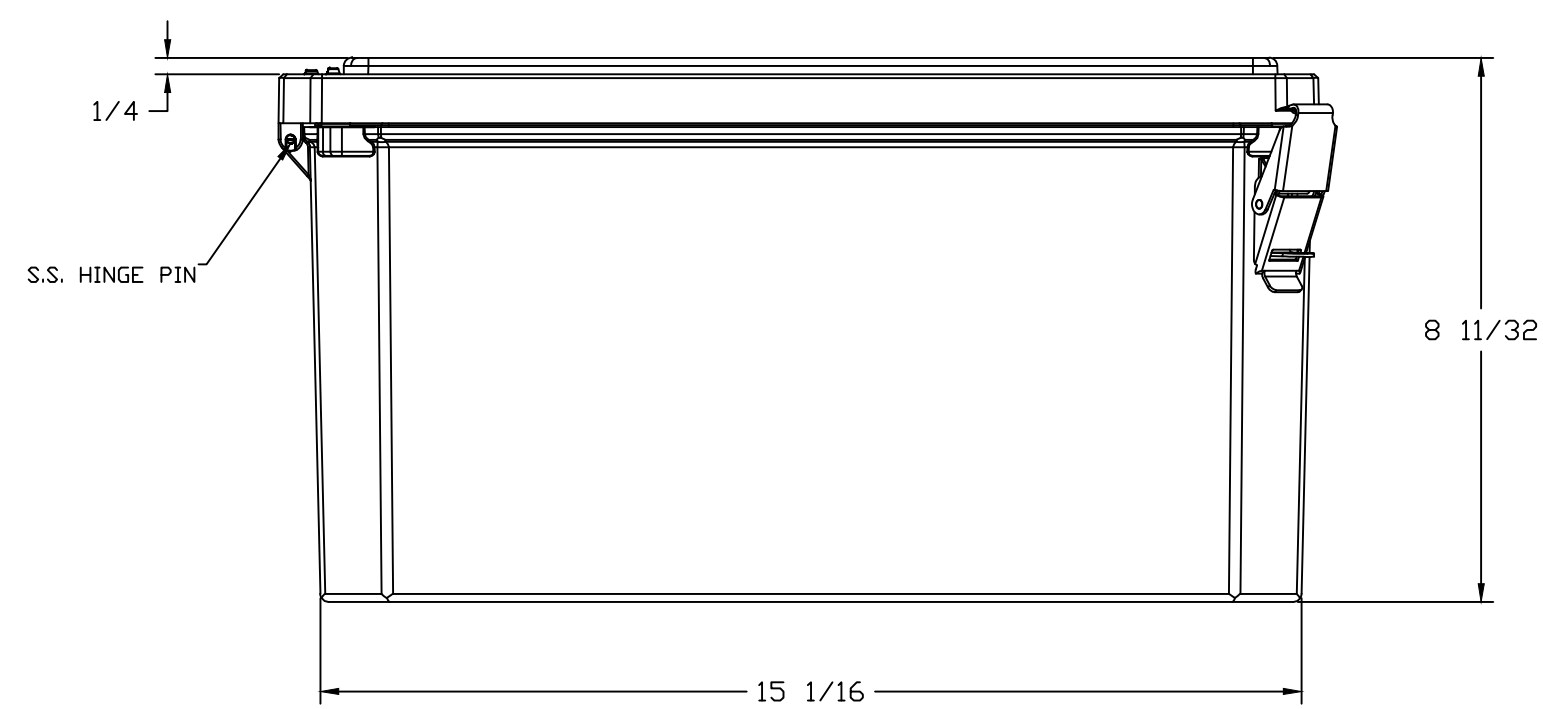


WITH COVER REMOVED




SECTION B-B



SECTION A-A

NOTES:

NEMA 1, 3, 3S, 4X, 12, 13 IP66		TOLERANCES UNLESS SPECIFIED		DECIMAL ± .010	FRACTIONAL ± 1/32
MATERIAL F.R. POLYESTER FIBERGLASS		COLOR GLACIER GRAY RR1013			
DR. BY	DATE	DR. BY	DATE	 STAHLIN ENCLOSURES DIVISION OF ROBROY INDUSTRIES	
ZJB	5/19/03	CHK. BY	DATE		
LET.	REVISION RECORD	DATE	BY	CHD.	
APD. BY			DATE	CUSTOMER	
SCALE 1:1			PART NAME ENCLOSURE		PART NO. DS161408HPL

AutoCAD DWG FILE
DS161408HPL