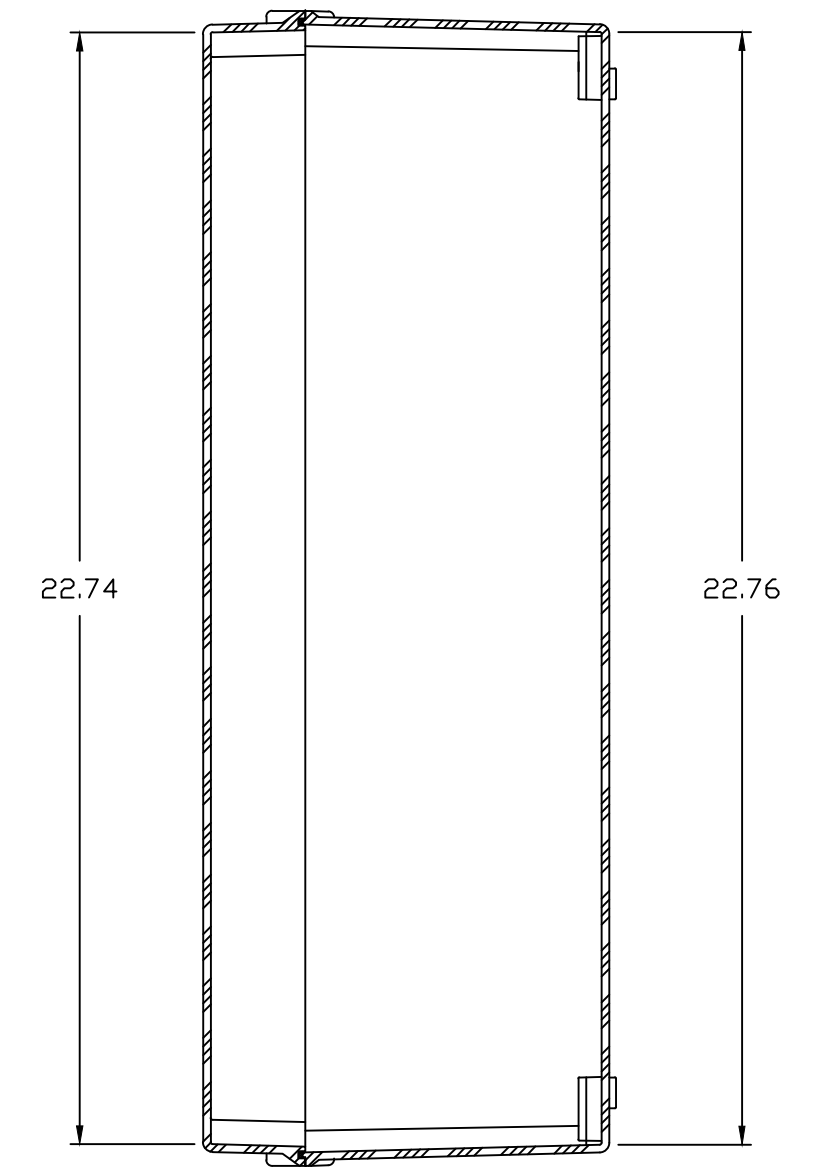
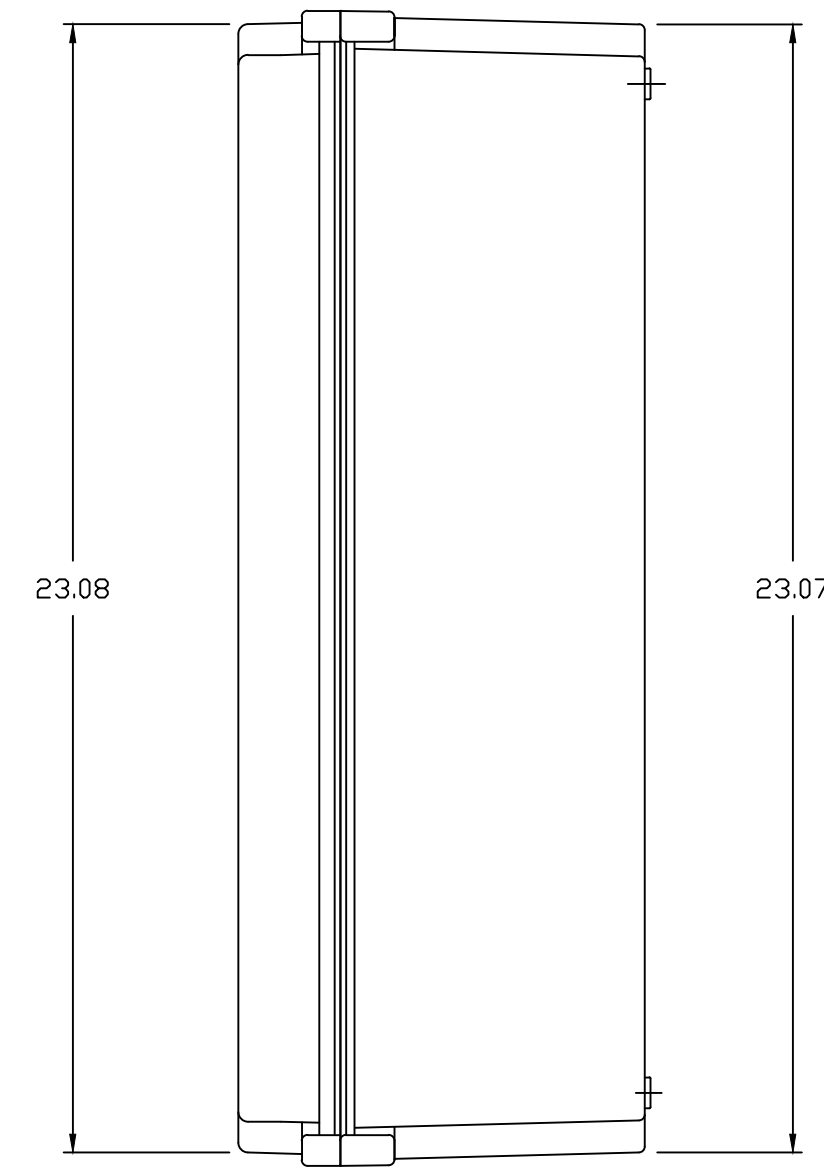
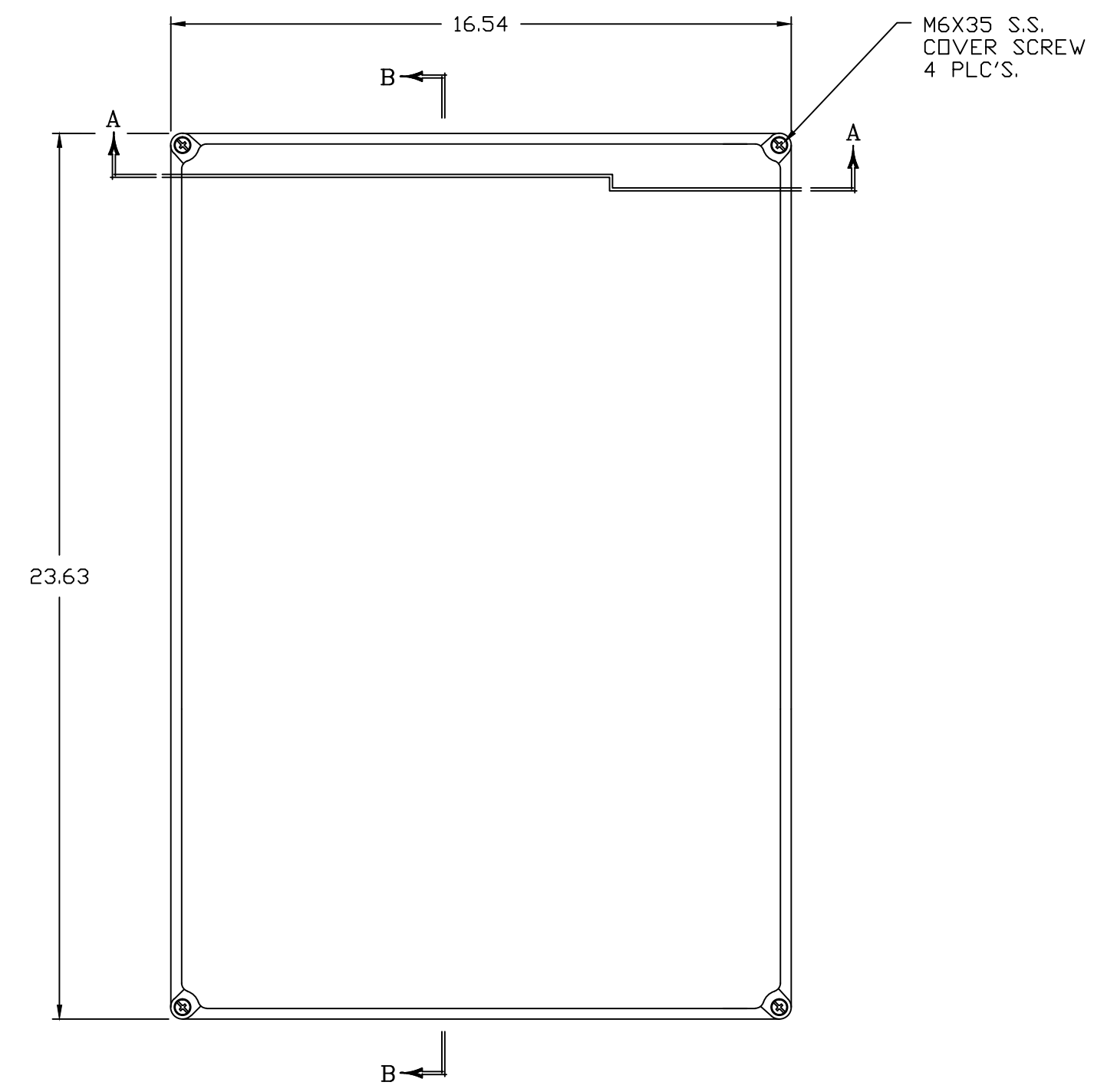
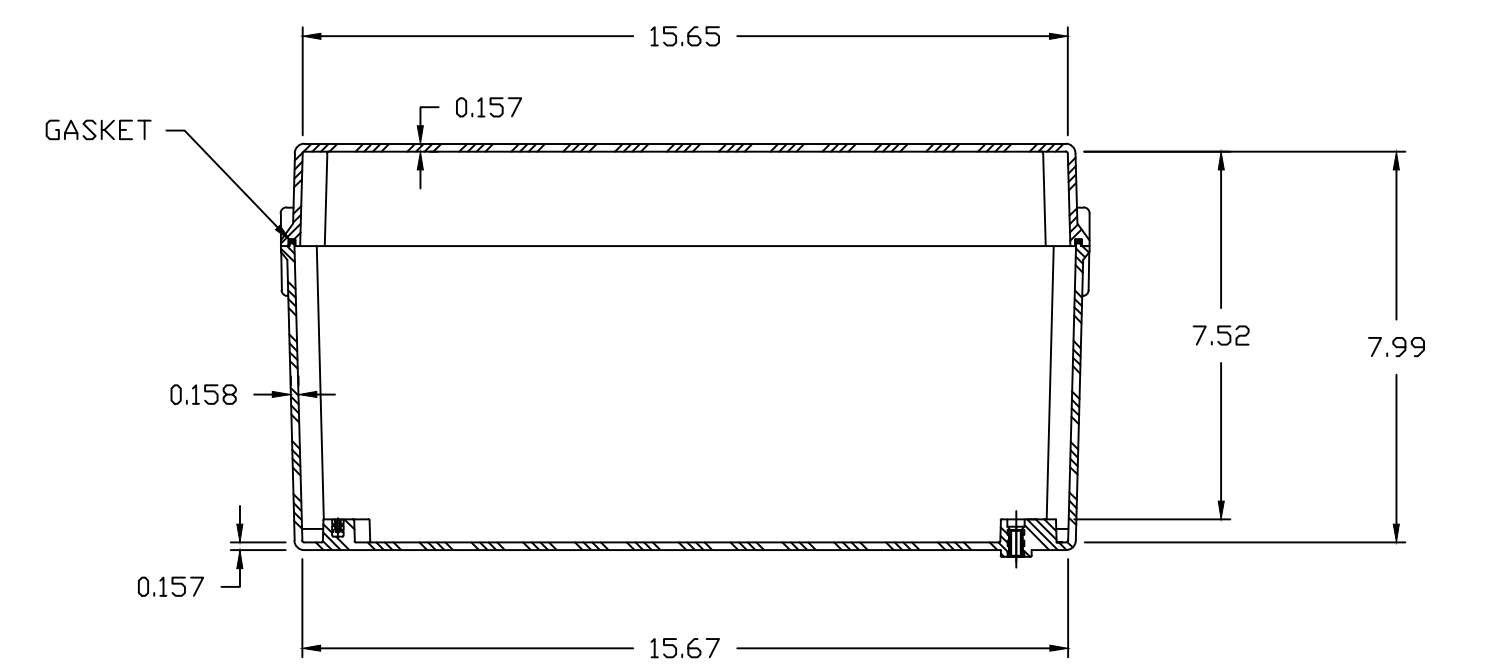
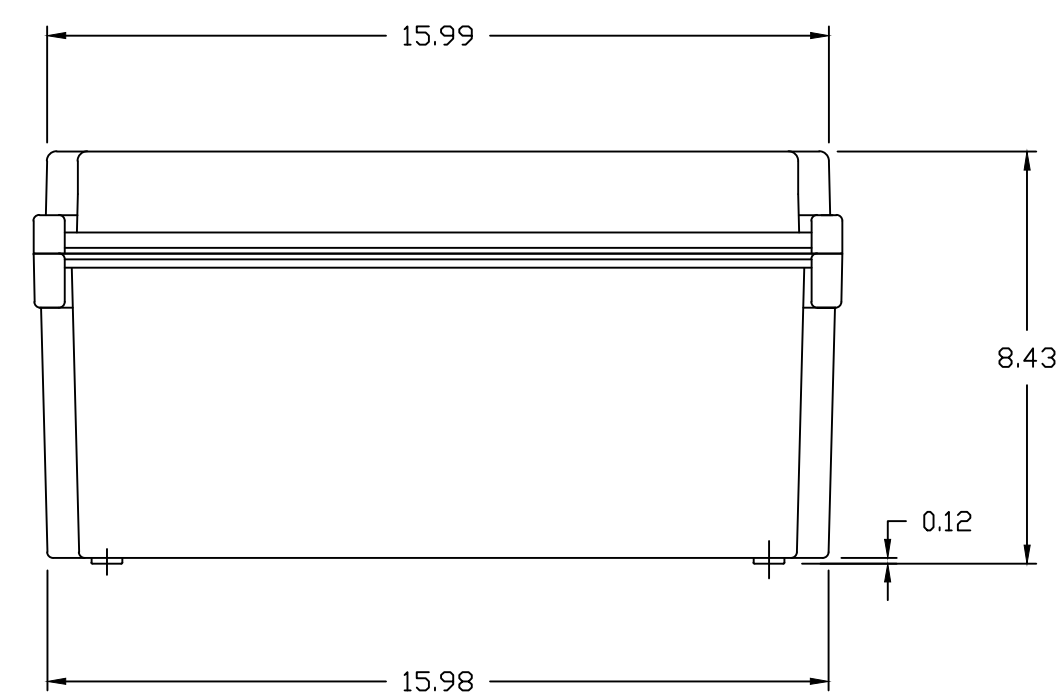


**FRONT VIEW**  
WITHOUT COVER




**SECTION B-B**



**SECTION A-A**

**NOTES:**

UL50 TYPE 4X,6, & IEC 60529 IP66, IP67						TOLERANCES UNLESS SPECIFIED		DECIMAL ± .020	FRACTIONAL ± .010
COLOR GLACIER GRAY									
MATERIAL				DR. BY GF	DATE 5/15/01	 <b>STAHLIN ENCLOSURES</b> DIVISION OF ROBBY INDUSTRIES			
LET.	REVISION RECORD	DATE	BY	CHK. BY	DATE				
				APD. BY	DATE	CUSTOMER		AutoCAD DWG. FILE	
						SCALE DO NOT SCALE		PART NAME ENCLOSURE	PART NO. DL24168W
								DL24168W	

BELDING, MICHIGAN 48809

DL24168W