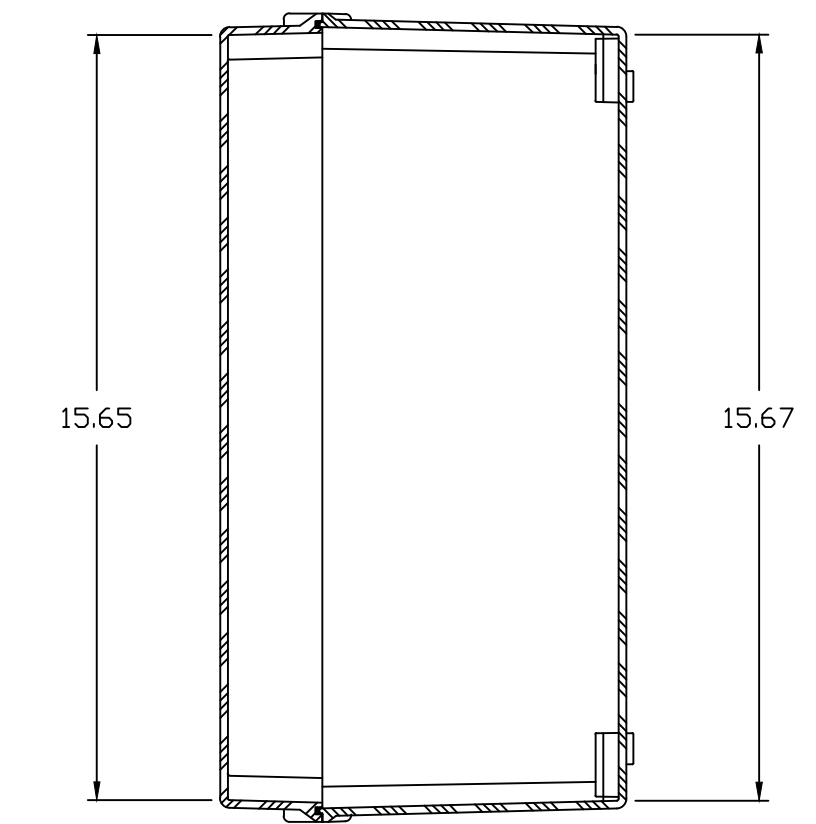
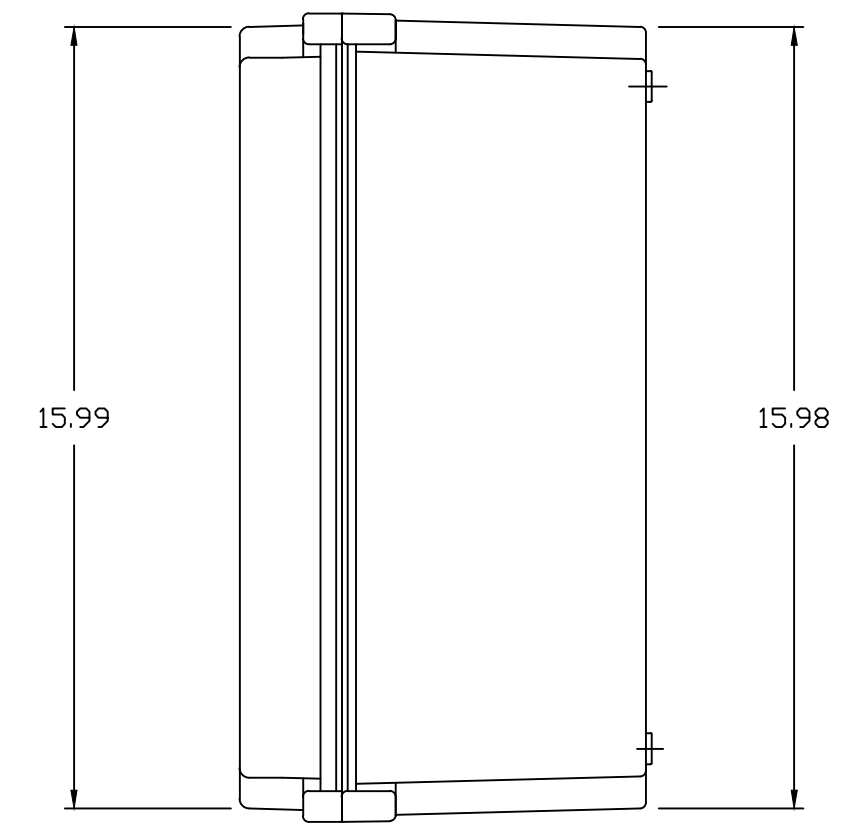
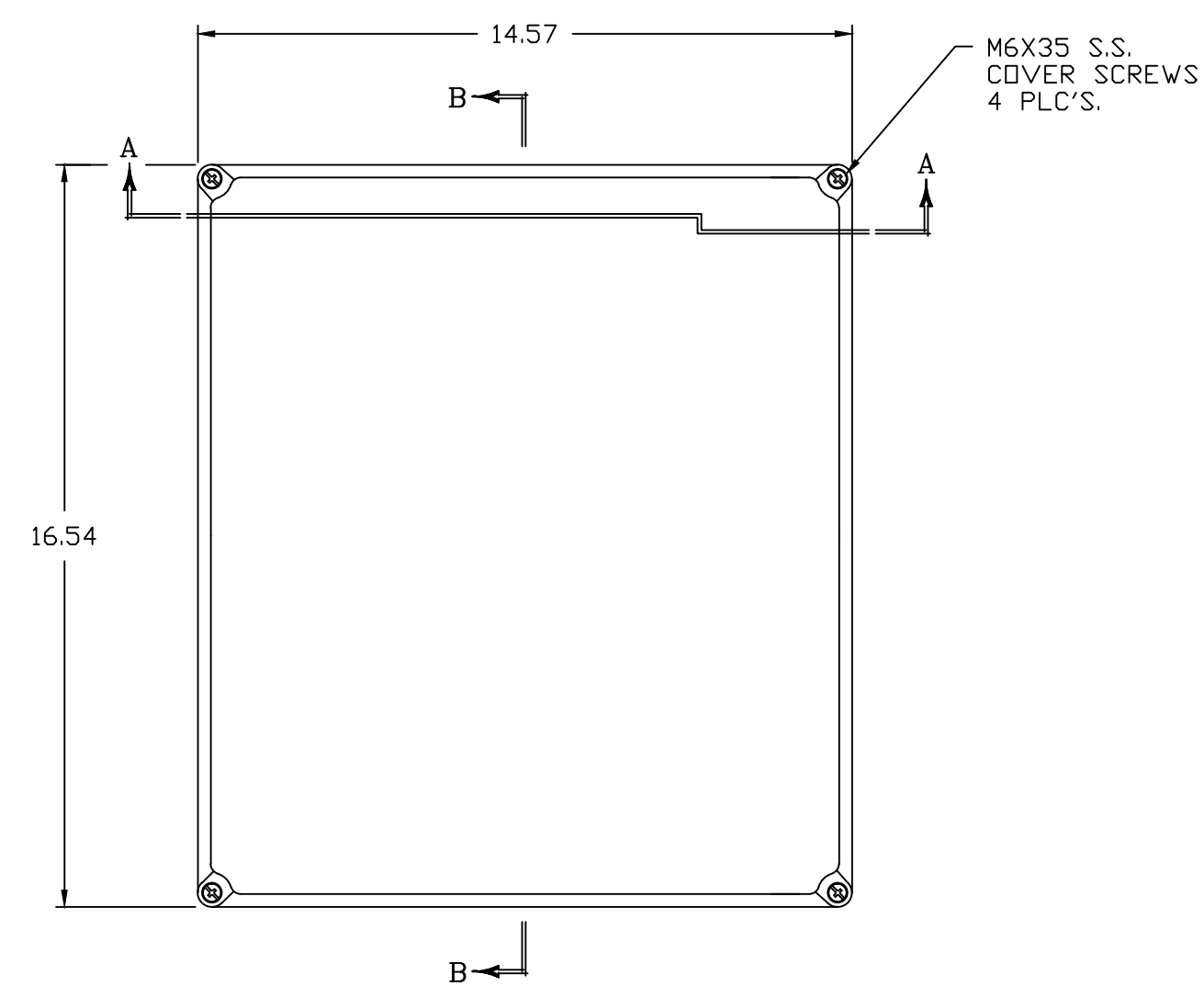
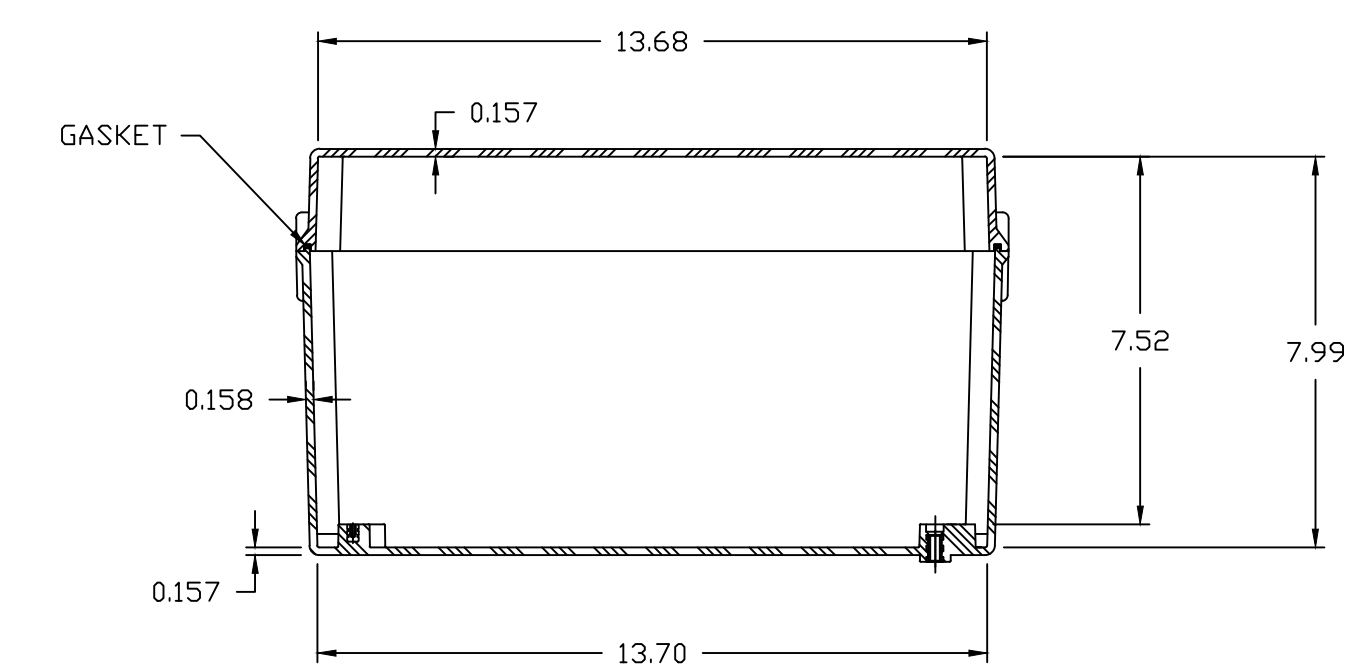
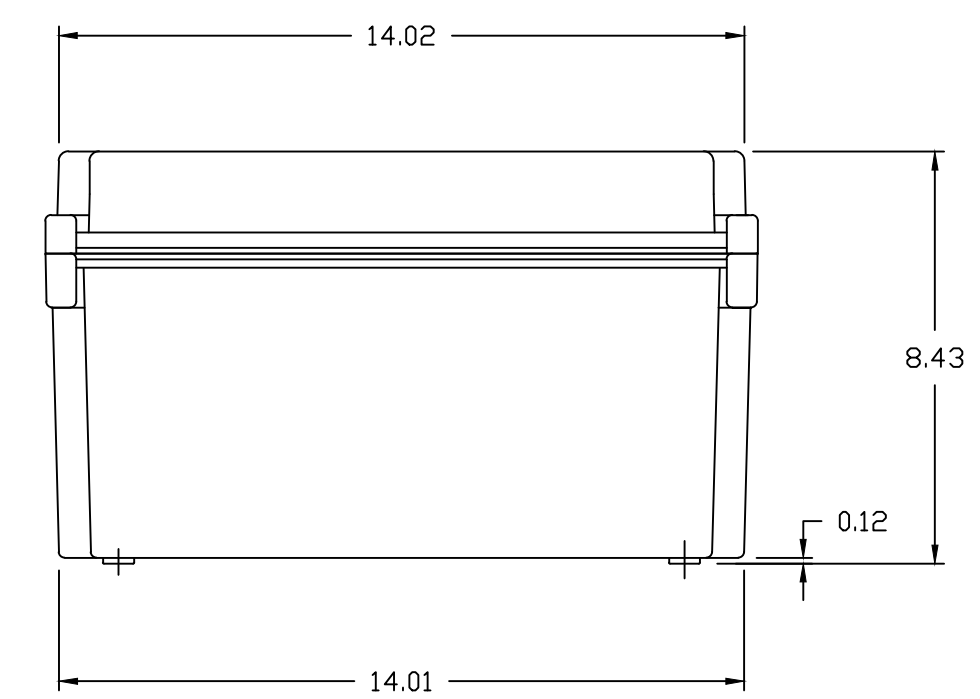


**FRONT VIEW**  
WITHOUT COVER




**SECTION B-B**



**SECTION A-A**

NOTES:

UL50 TYPE 4X,6, & IEC 60529 IP66, IP67		TOLERANCES UNLESS SPECIFIED		DECIMAL ± .020	FRACTIONAL ± .010
COLOR GLACIER GRAY					
MATERIAL	DR. BY GF	DATE 5/15/01	 <b>STAHLIN ENCLOSURES</b> DIVISION OF ROBBY INDUSTRIES		
LET.	CHK. BY	DATE			
REVISION RECORD	DATE	BY	CHD.	APD. BY	DATE
				CUSTOMER	
				AutoCAD DWG FILE DL18168W	
				SCALE DO NOT SCALE	PART NAME ENCLASURE
					PART NO. DL18168W