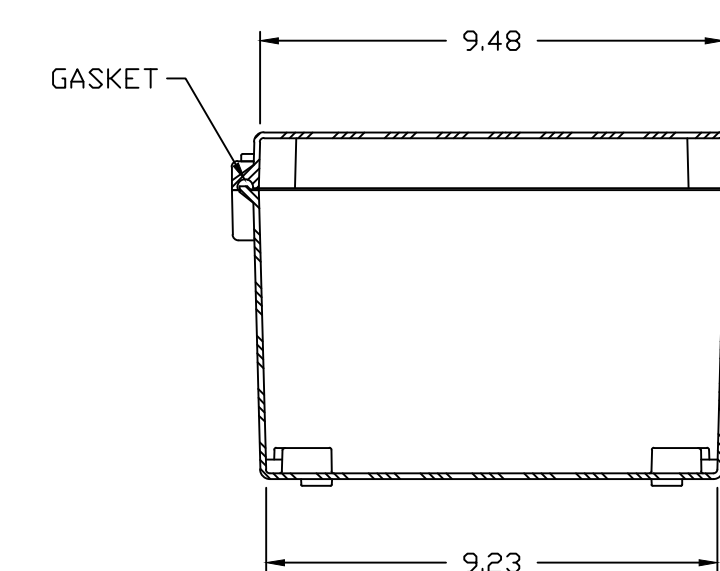
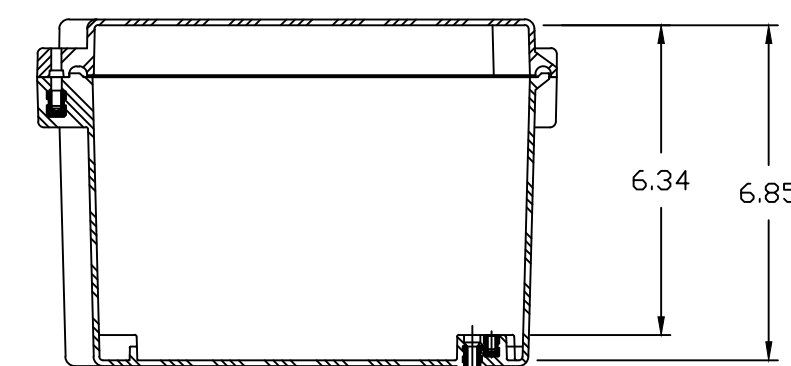
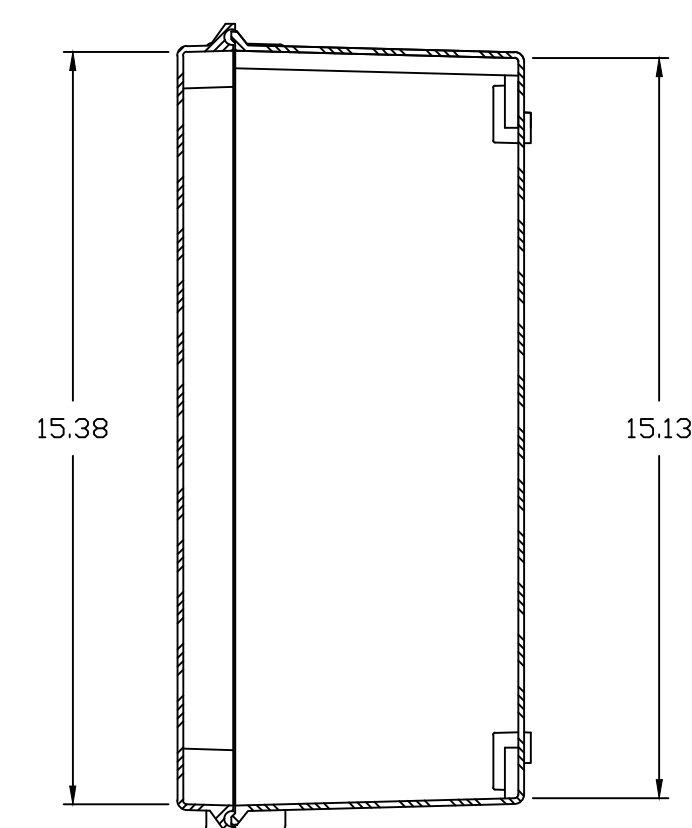
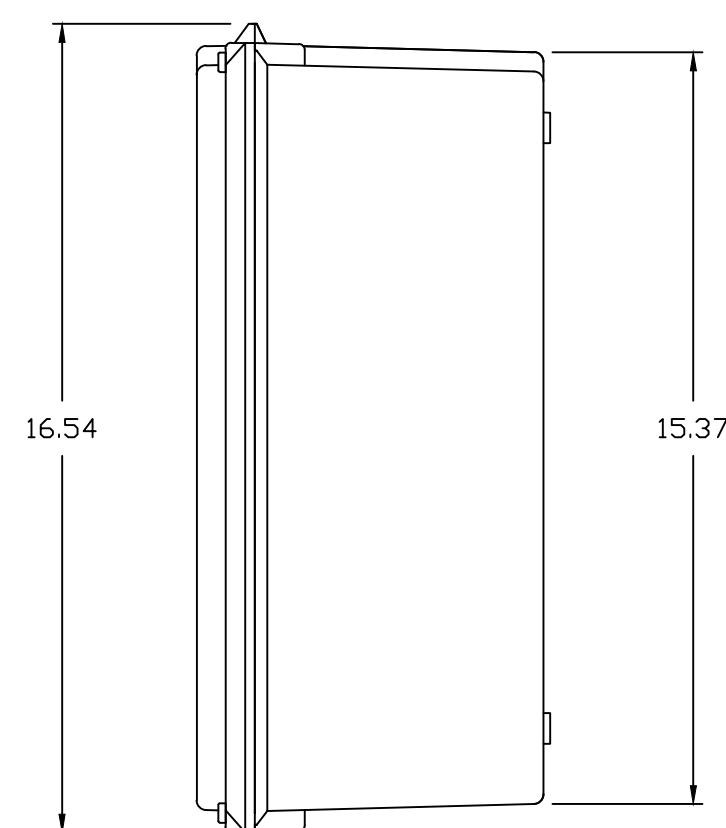
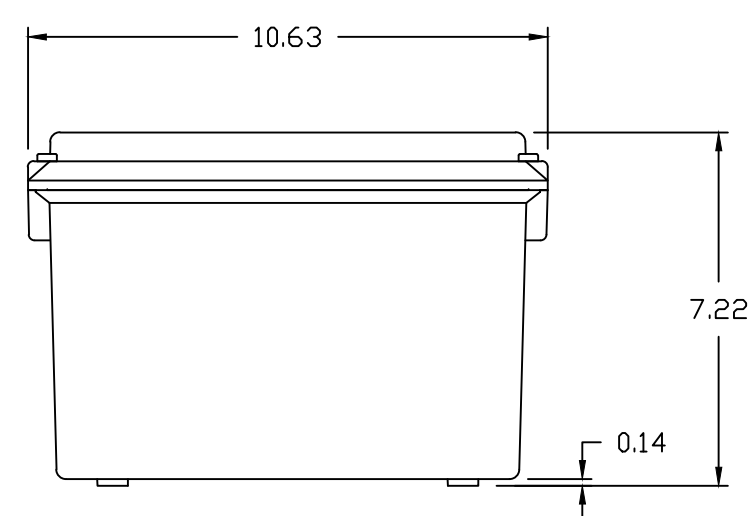
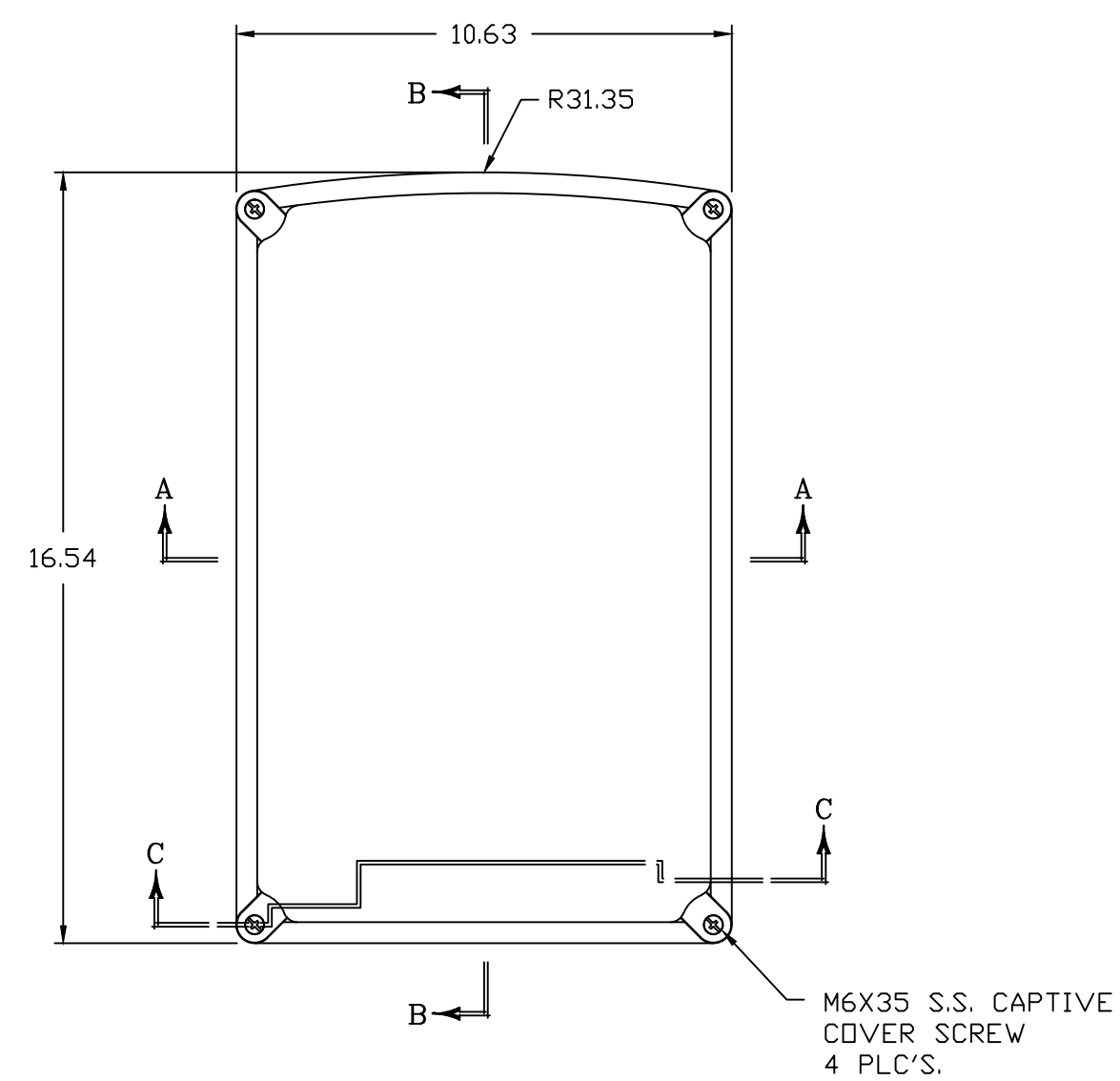


**FRONT VIEW**  
WITHOUT COVER




**SECTION C-C**

**SECTION B-B**

**SECTION A-A**

**NOTES:**

|   |                 |      |    |      |                       |                                |                        |   |                      |
|---|-----------------|------|----|------|-----------------------|--------------------------------|------------------------|---|----------------------|
| UL50 TYPE 4X,6, & IEC 60529 IP66, IP67,<br>COLOR GLACIER GRAY |                 |      |    |      |                       | TOLERANCES<br>UNLESS SPECIFIED |                        | DECIMAL<br>± .020   | FRACTIONAL<br>± .010 |
| MATERIAL  |                 |      |    |      |                       | DR. BY<br>GF                   | DATE<br>5/15/01        | <br>BELDING, MICHIGAN<br>48809 |                      |
| LET.  | REVISION RECORD | DATE | BY | CHD. | CHK. BY               | DATE                           |                        |   |                      |
|   |                 |      |    |      | APD. BY               | DATE                           | CUSTOMER               |   |                      |
|   |                 |      |    |      | SCALE<br>DO NOT SCALE |                                | PART NAME<br>ENCLOSURE | PART NO.<br>DL18127W  |                      |

AutoCAD DWG FILE  
DL18127W