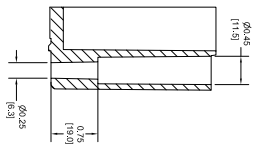
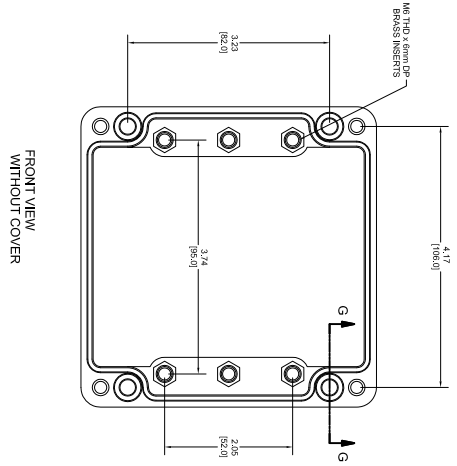
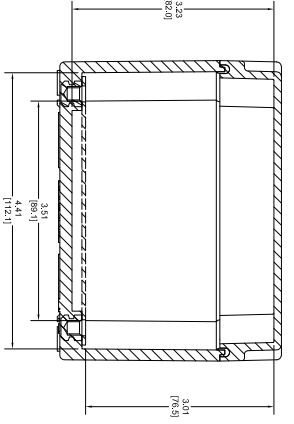
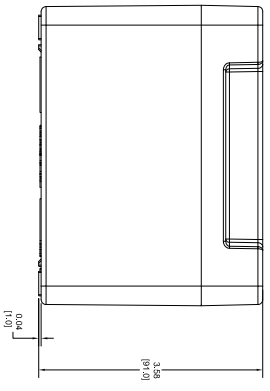


SECTION E-E
SCALE 1:1



SECTION G-G
SCALE 1:1



FRONT VIEW
WITHOUT COVER

SECTION F-F
SCALE 1:1

NOTES: BASE-GUARDER GRAY RR 3013 COVER CLEAR
 BASE-F R POLYESTER FIBER GLASS
 COVER: POLYCARBONATE DE LEKANA MKA

REV	DATE	BY	CHKD	DATE	DESCRIPTION
1	01/02/07
2
3
4
5

ALL DIMENSIONS ARE IN INCHES UNLESS SPECIFIED
 UNLESS SPECIFIED XXX.X = 0.010 (0.254)
 XXX.XX = 0.001 (0.0254)

STAHLIN ENCLOSURES
 BELDING MACHINEN
 48809

PART NO. D0055W1
 SHEET 1 OF 1