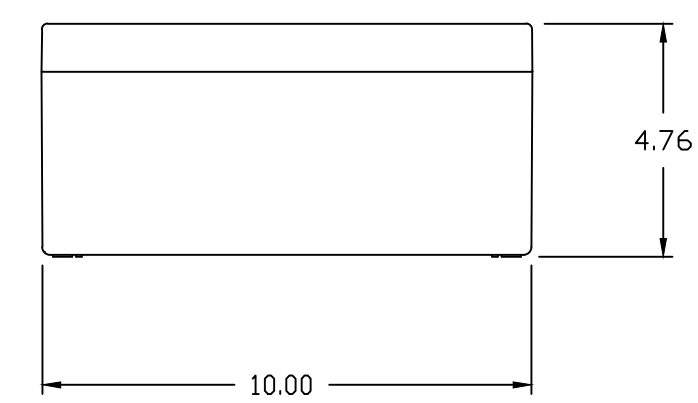
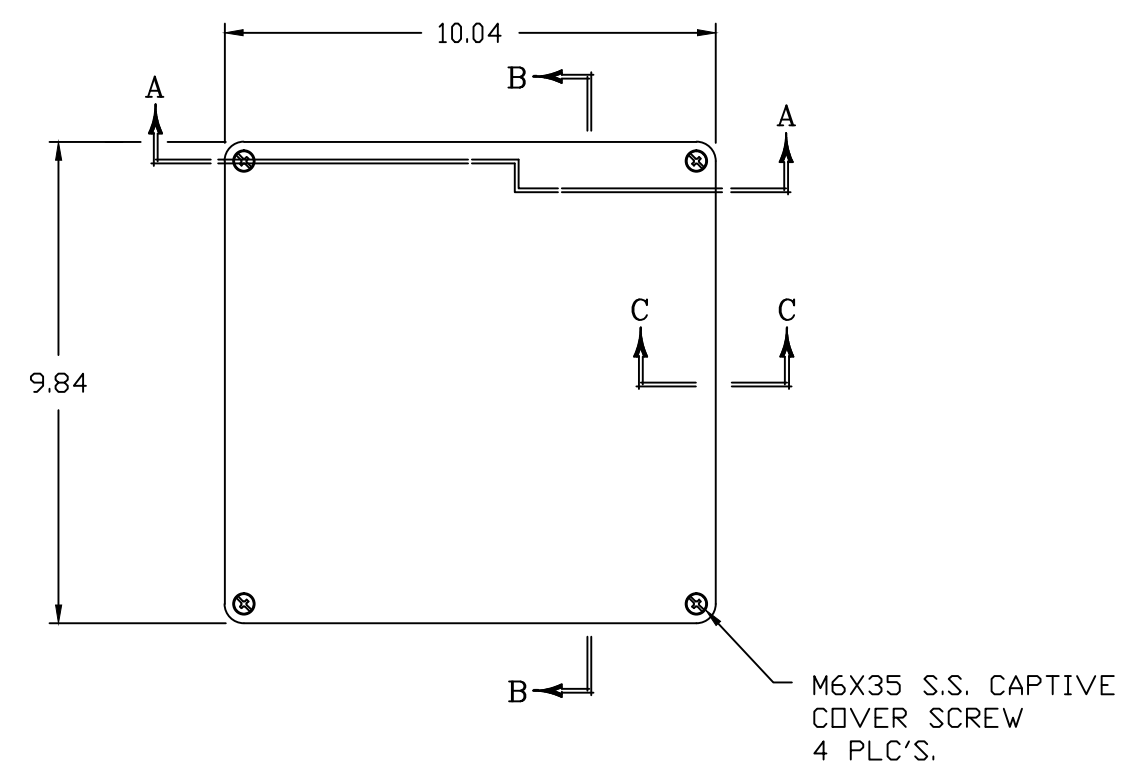
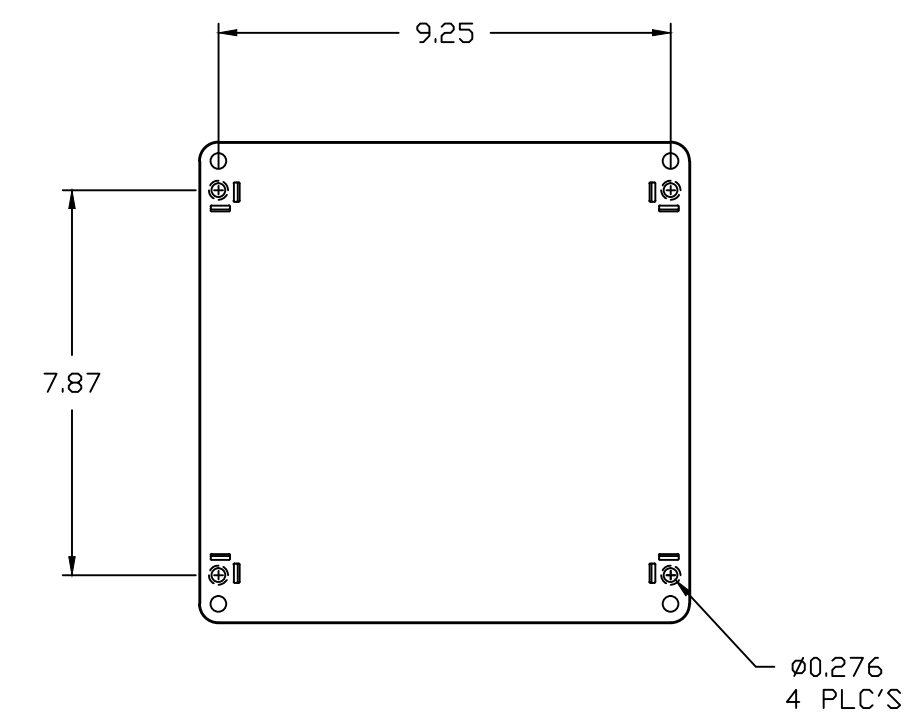
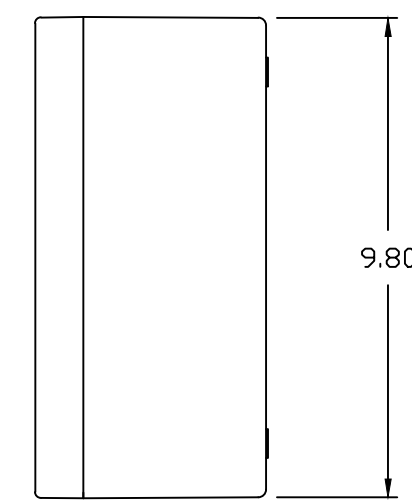


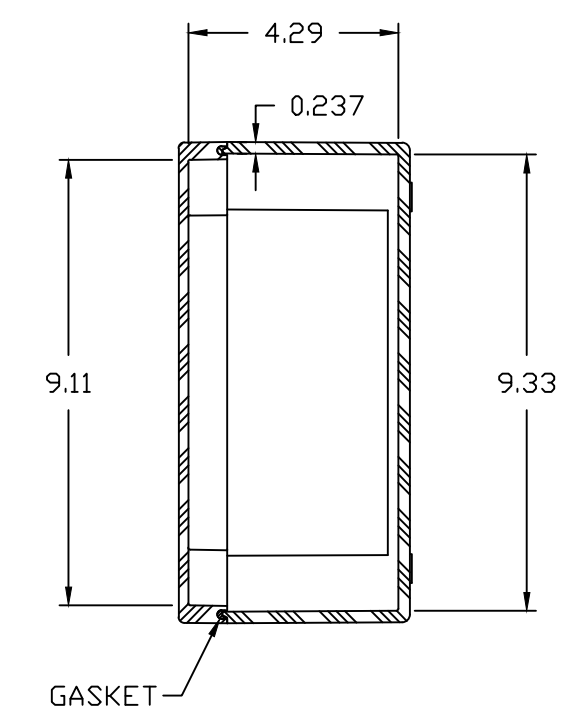
FRONT VIEW
WITHOUT COVER



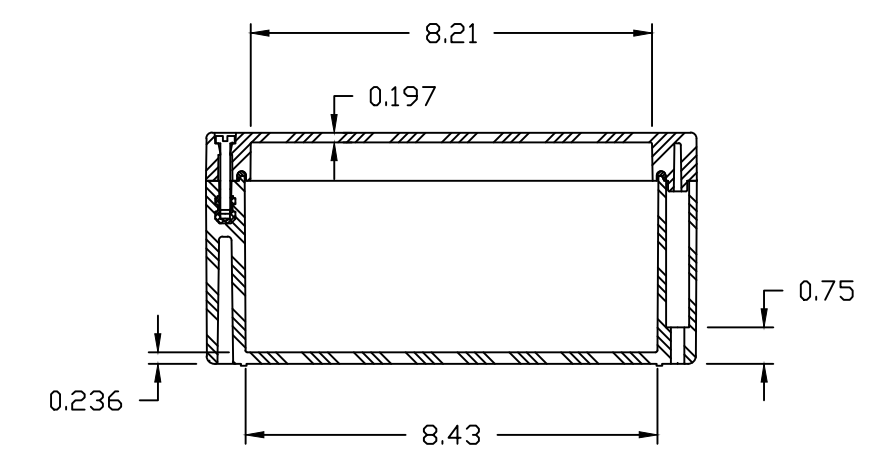
SECTION C-C



BACK VIEW




SECTION B-B



SECTION A-A

NOTES:

UL50 TYPE 4X,6,P & IEC 60529 IP66, IP67, IP68						TOLERANCES UNLESS SPECIFIED		DECIMAL ± .020	FRACTIONAL ± .010
COLOR GLACIER GRAY									
MATERIAL				DR. BY GF	DATE 5/15/01	 STAHLIN ENCLOSURES DIVISION OF ROBROY INDUSTRIES			
LET.	REVISION RECORD	DATE	BY	CHK. BY	DATE				
				APD. BY	DATE	CUSTOMER		AutoCAD DWG. FILE D10105W	
SCALE DO NOT SCALE						PART NAME ENCLOSURE		PART NO. D10105W	

BELDING, MICHIGAN 48809