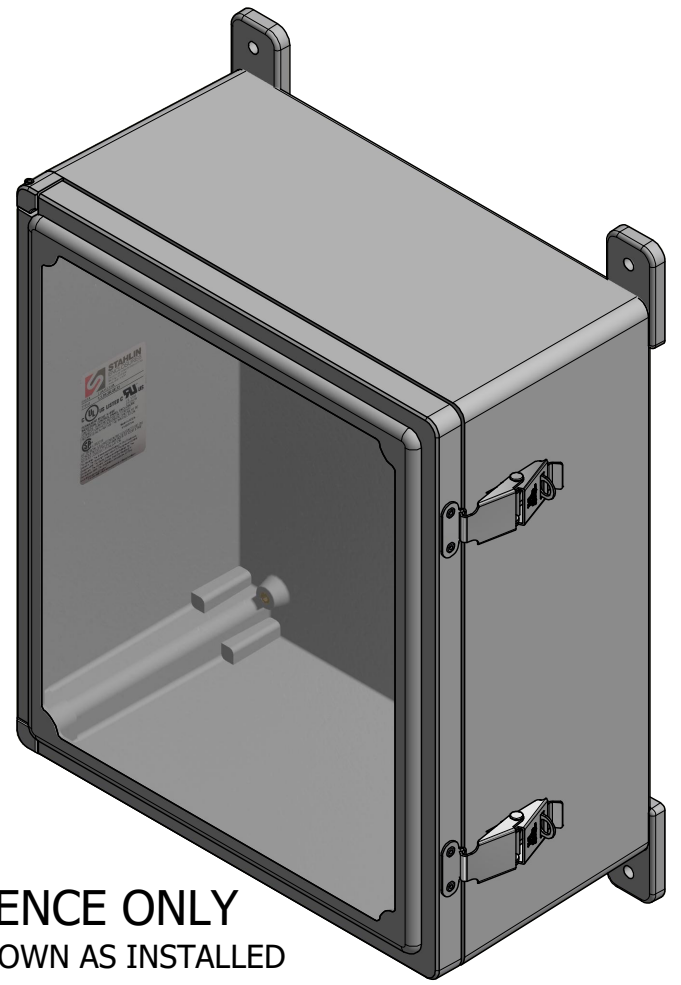
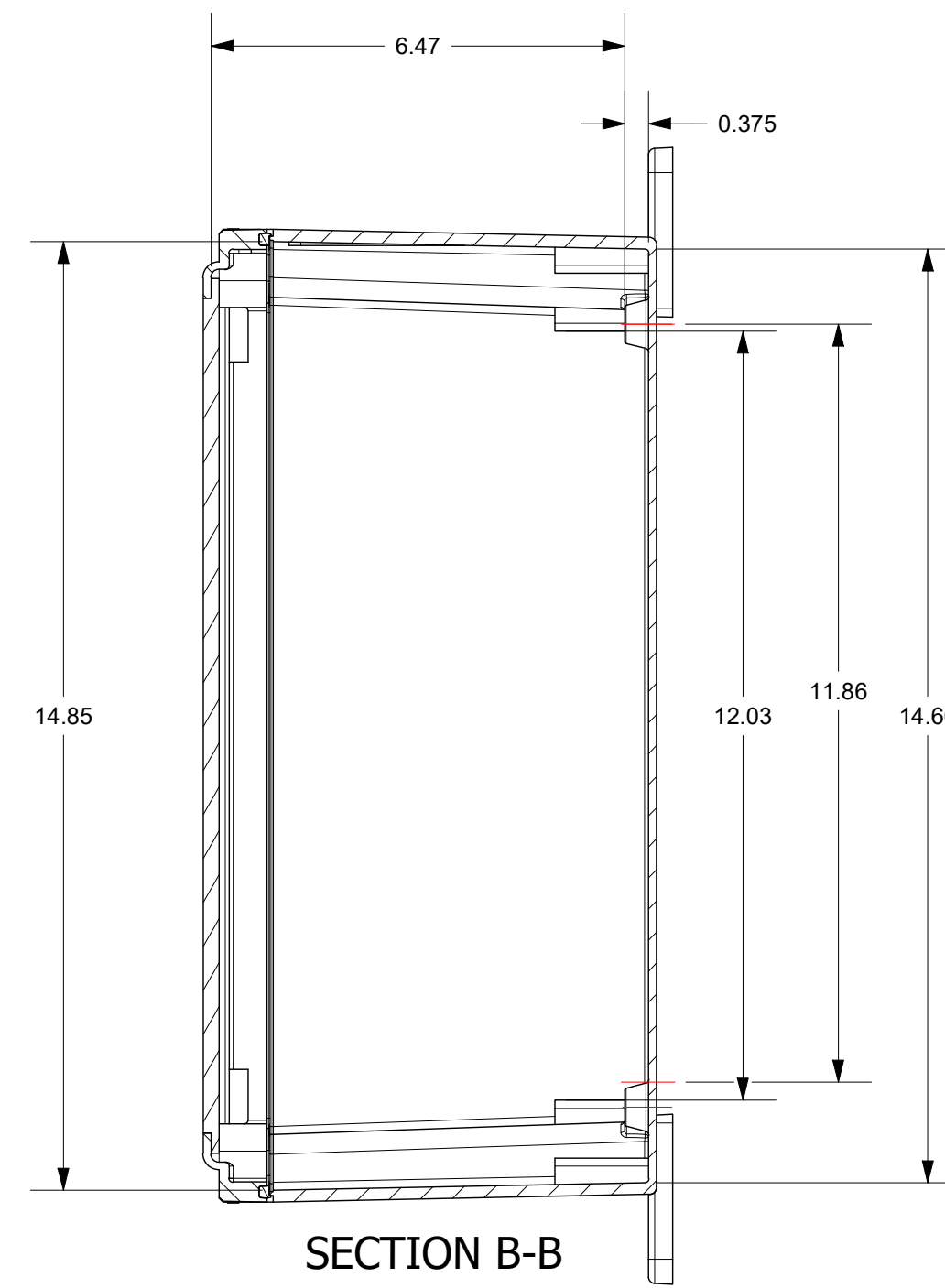
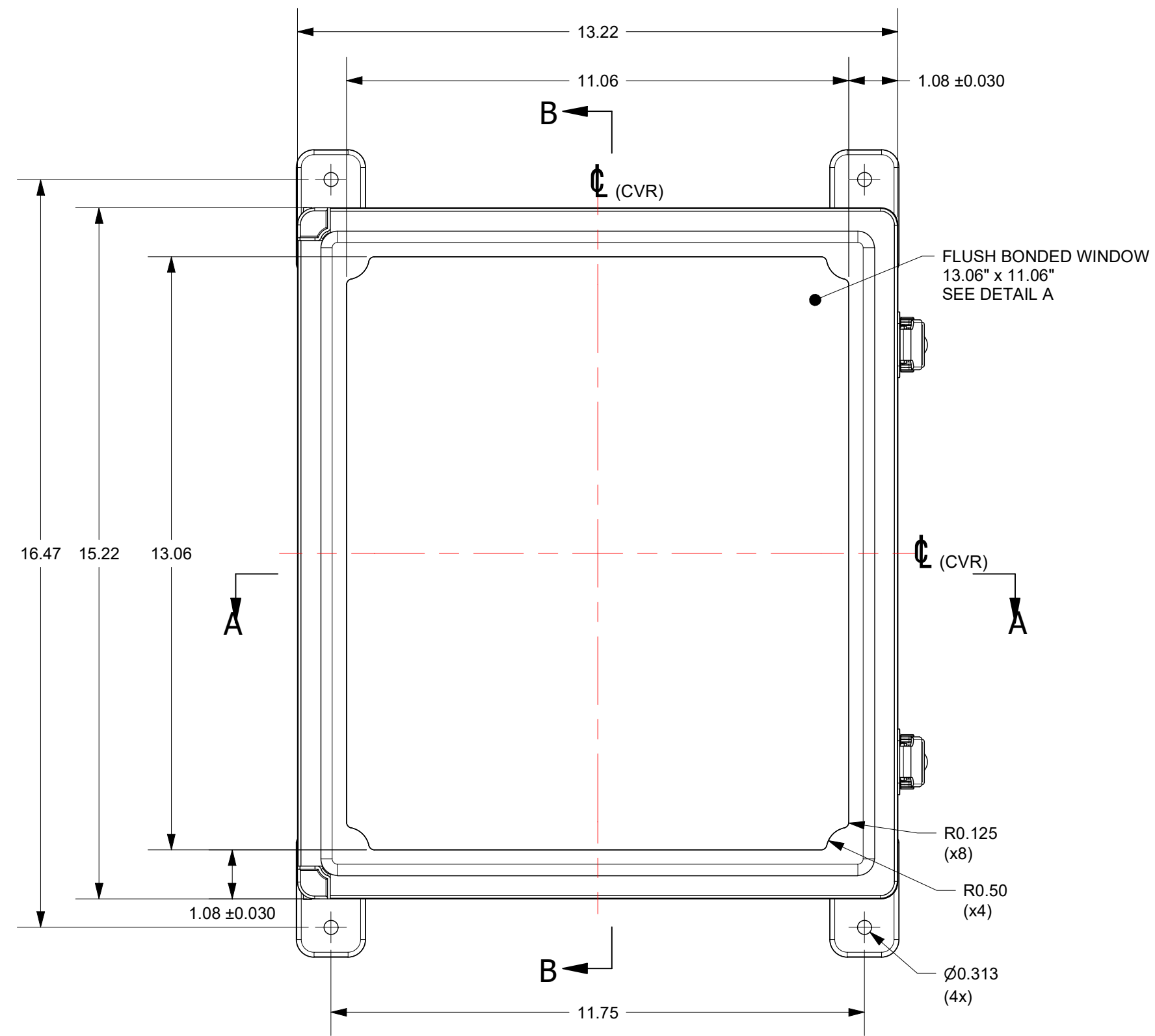


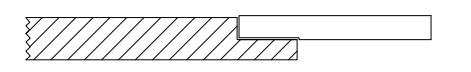
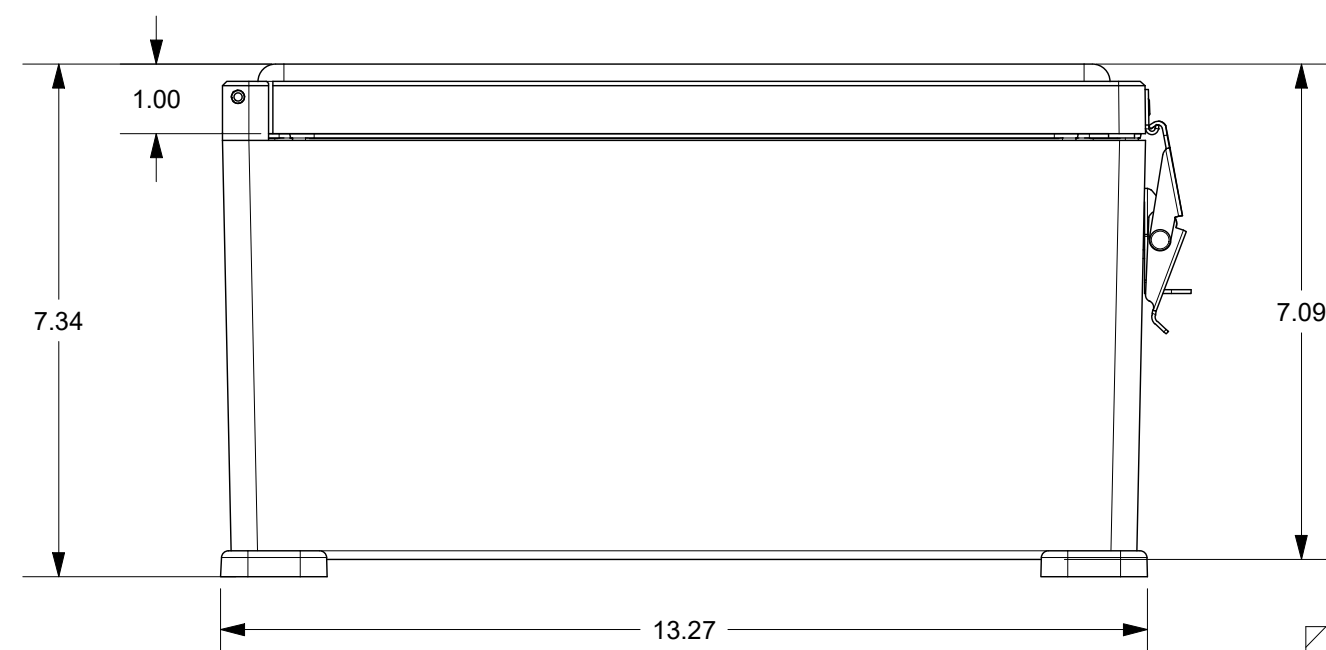
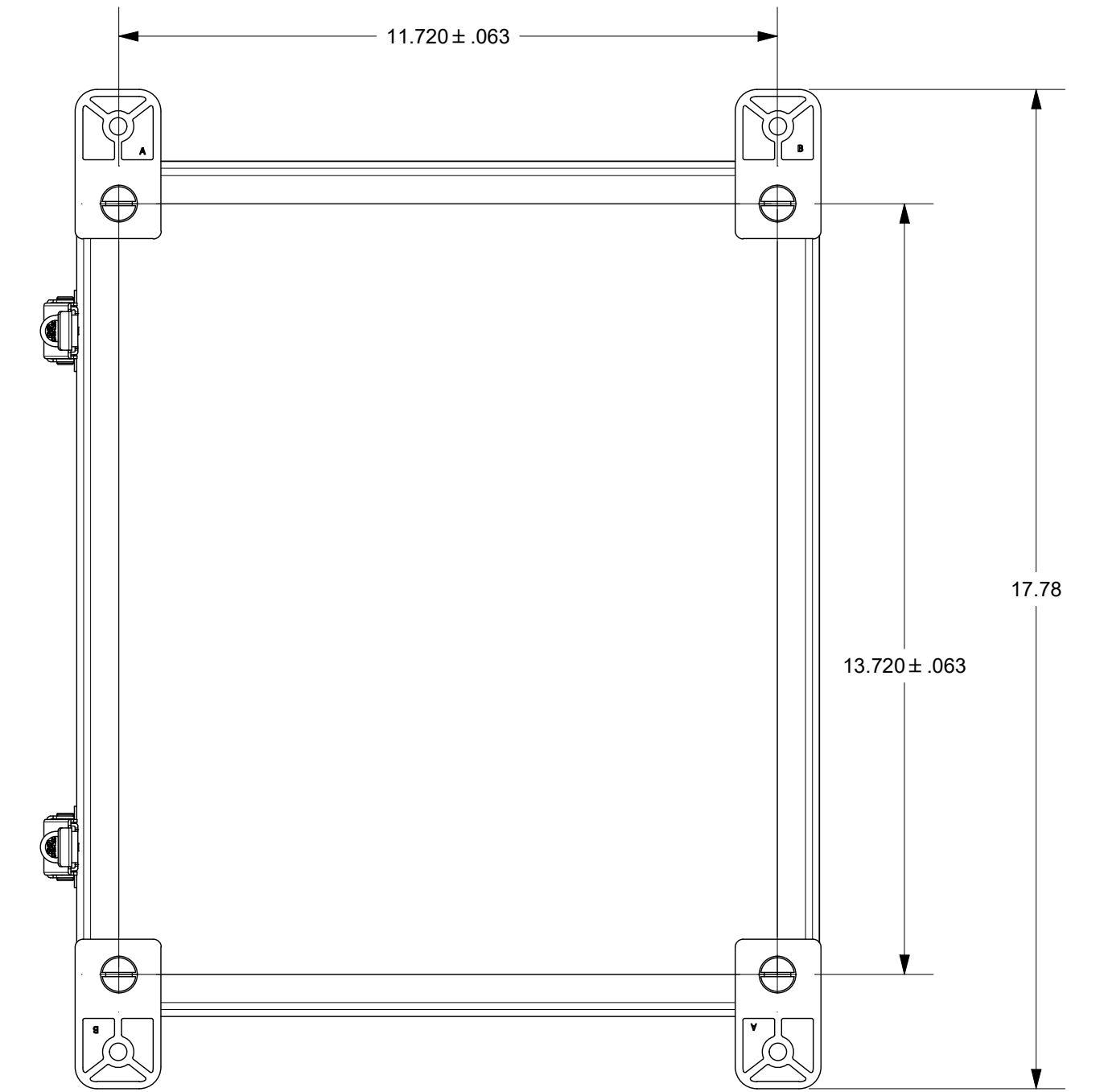
SECTION A-A



FOR REFERENCE ONLY  
MOUNTING FEET SHOWN AS INSTALLED



SECTION B-B



**DETAIL A**  
WINDOW MATERIAL: S.A.R. ACRYLIC, 1/4" THICK  
ABRADE INSIDE COVER SURFACE PRIOR TO BONDING  
WINDOW BONDED USING MA-320  
WINDOW SURFACE FLUSH TOLERANCE: +0.020 / -0.030  
0.010 MAX. EXPANSION GAP BETWEEN COVER CUTOUT & WINDOW

THIS DRAWING IS THE SOLE AND EXCLUSIVE PROPERTY OF ROBROY ENCLOSURES. NO PART OF THIS DRAWING MAY BE REPRODUCED, DISTRIBUTED, OR PUBLICALLY DISPLAYED IN ANY FORM OR BY ANY MEANS WITHOUT THE EXPRESS WRITTEN PERMISSION OF ROBROY ENCLOSURES. ALL RIGHTS RESERVED. UNDER THE COPYRIGHT LAWS. COPYRIGHT © 2018 ROBROY ENCLOSURES.

- SPECIAL REQUIREMENTS**
- ASSEMBLY:**  
1. MOUNTING FEET SHOWN AS INSTALLED - FOR REFERENCE ONLY  
- SOLD SEPARATELY  
- CLASSIC SERIES MOUNTING FOOT KIT (FECLMTGFTKIT)  
- INCLUDES (4) 5/16-18 x 1/2 FLAT HEAD SLOTTED SCREWS (RMSC5/16-18X1/2FL)  
2. (1) CLASSIC SERIES SCREW PACK (WPR4PKBP) SHALL BE PACKAGED LOOSELY INSIDE ENCLOSURE  
- HARDWARE INCLUDED:  
- (4) #10-32 x 3/8 PAN HEAD SCREW (RMSC10/32X3/8ZN)  
- (4) #10 WASHER (RMWAS10ZN)  
3. (1) STYROFOAM SHEET SHALL BE PLACED ON TOP OF WINDOW INSIDE CARTON

NEMA 250: TYPE 1, 3, 3S, 3R, 4X, 12		STANDARD P/N: CLW1513HPL		ALL DIMENSIONS ARE IN INCHES UNLESS OTHERWISE SPECIFIED		TOLERANCES UNLESS SPECIFIED	
IEC 60529: N/A		CUSTOMER DWG:		.XX ± 0.03		.XXX ± 0.010	
COLOR: GLACIER GRAY (WPR3013)		MATERIAL: FIBERGLASS REINFORCED POLYESTER (FRP)		DRAWN BY: ARB		DATE: 12/1/18	
COLOR STANDARD: PANTONE 428 C		REVISION HISTORY		SCALE		CUSTOMER	
		REV		DO NOT SCALE		DWG	
		DESCRIPTION		STANDARD ENCLOSURE		PART NUMBER	
		DATE		FECLW1513HPL			
		ENG					
		12/8/20					
		-					
		-					
		-					
		-					
		-					
		-					



**Robroy Enclosures**  
500 Maple Street  
Belding, Michigan 48809  
Phone: 616-794-0700  
Fax: 616-749-3378