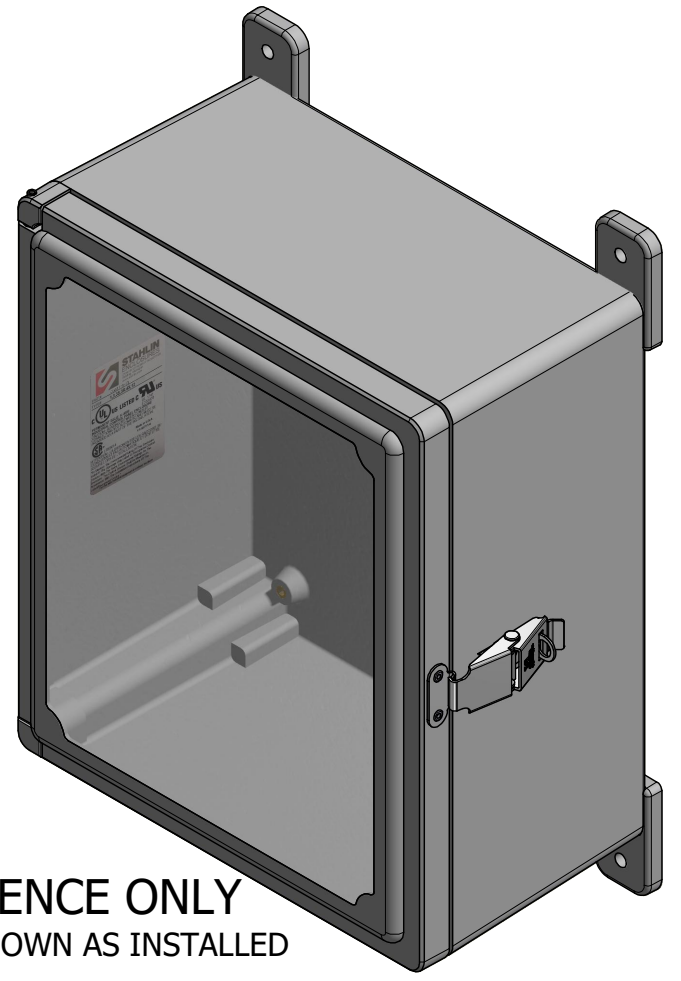
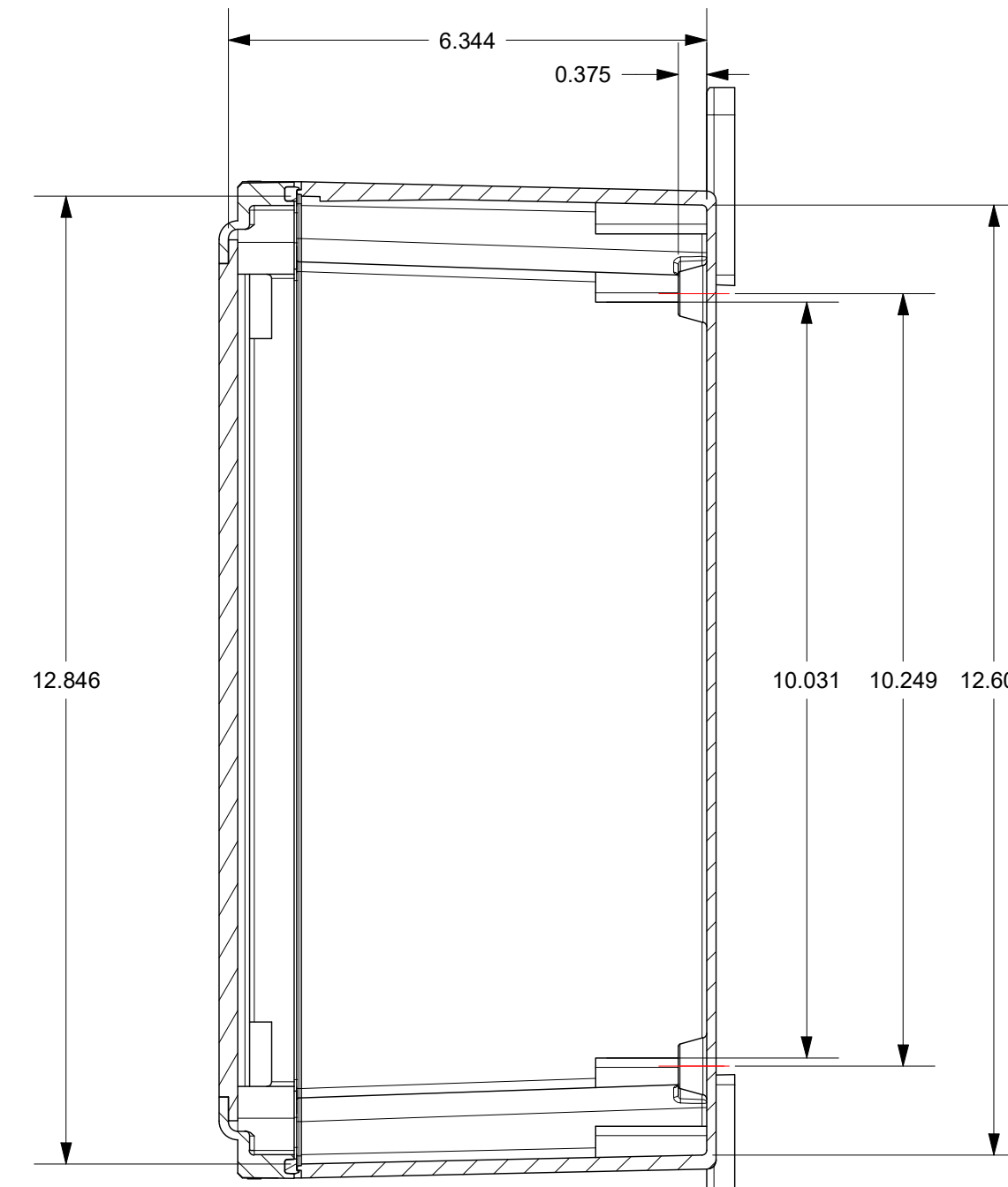
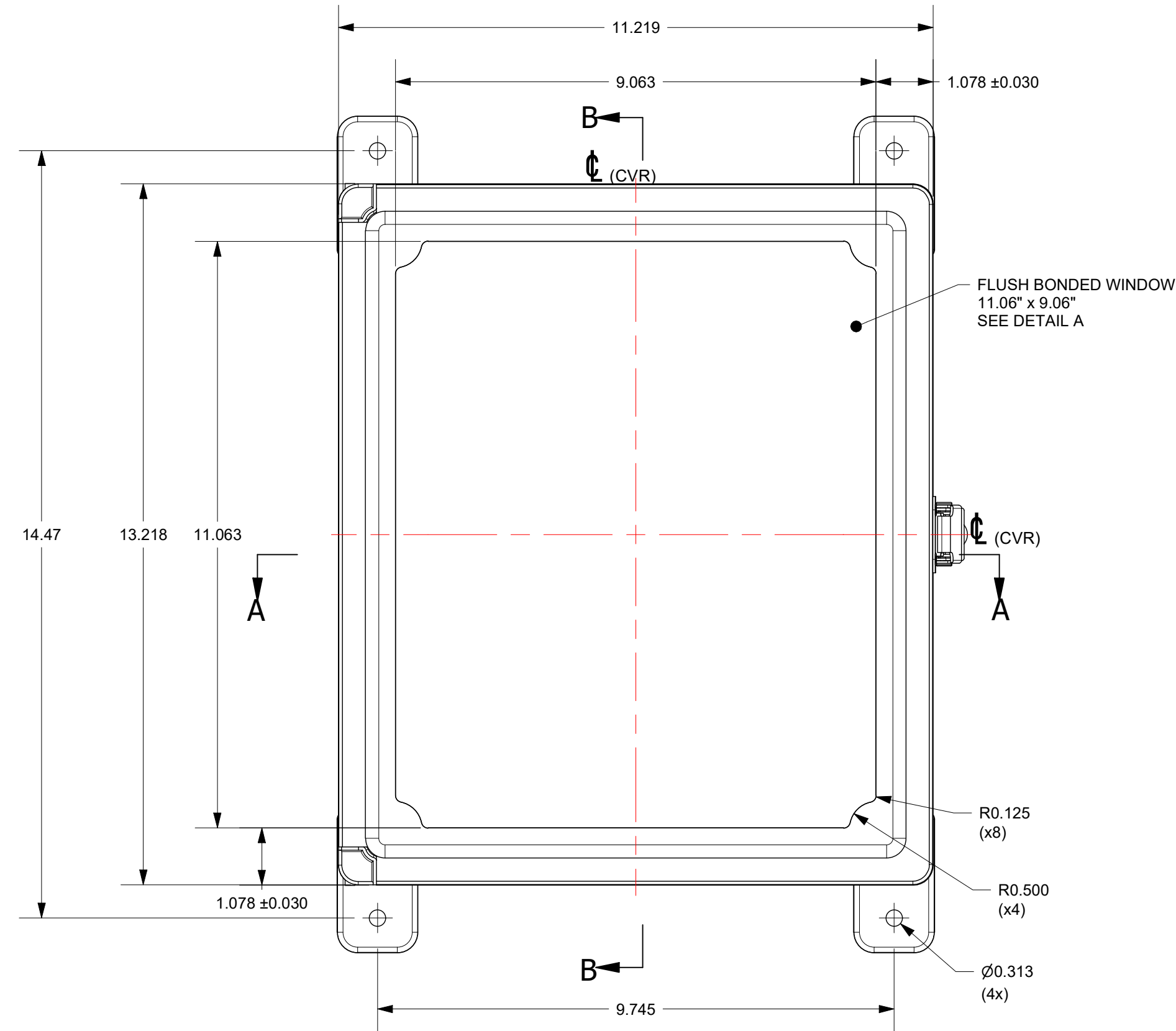


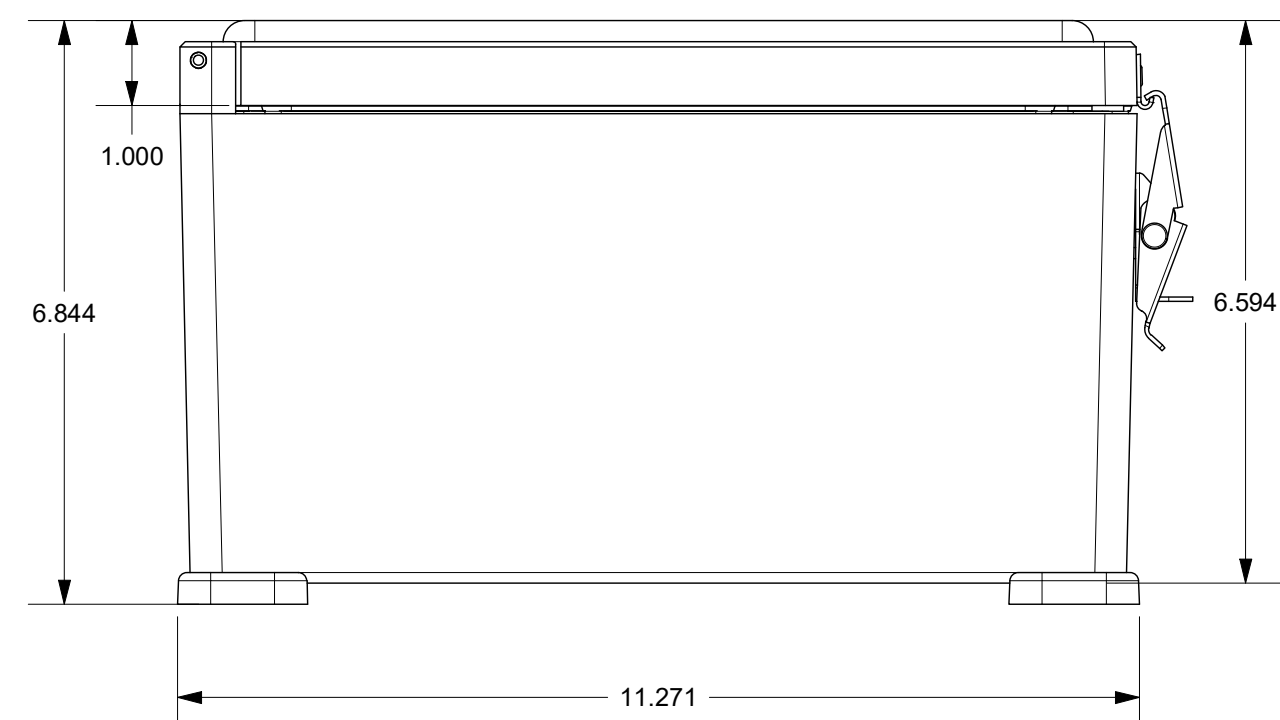
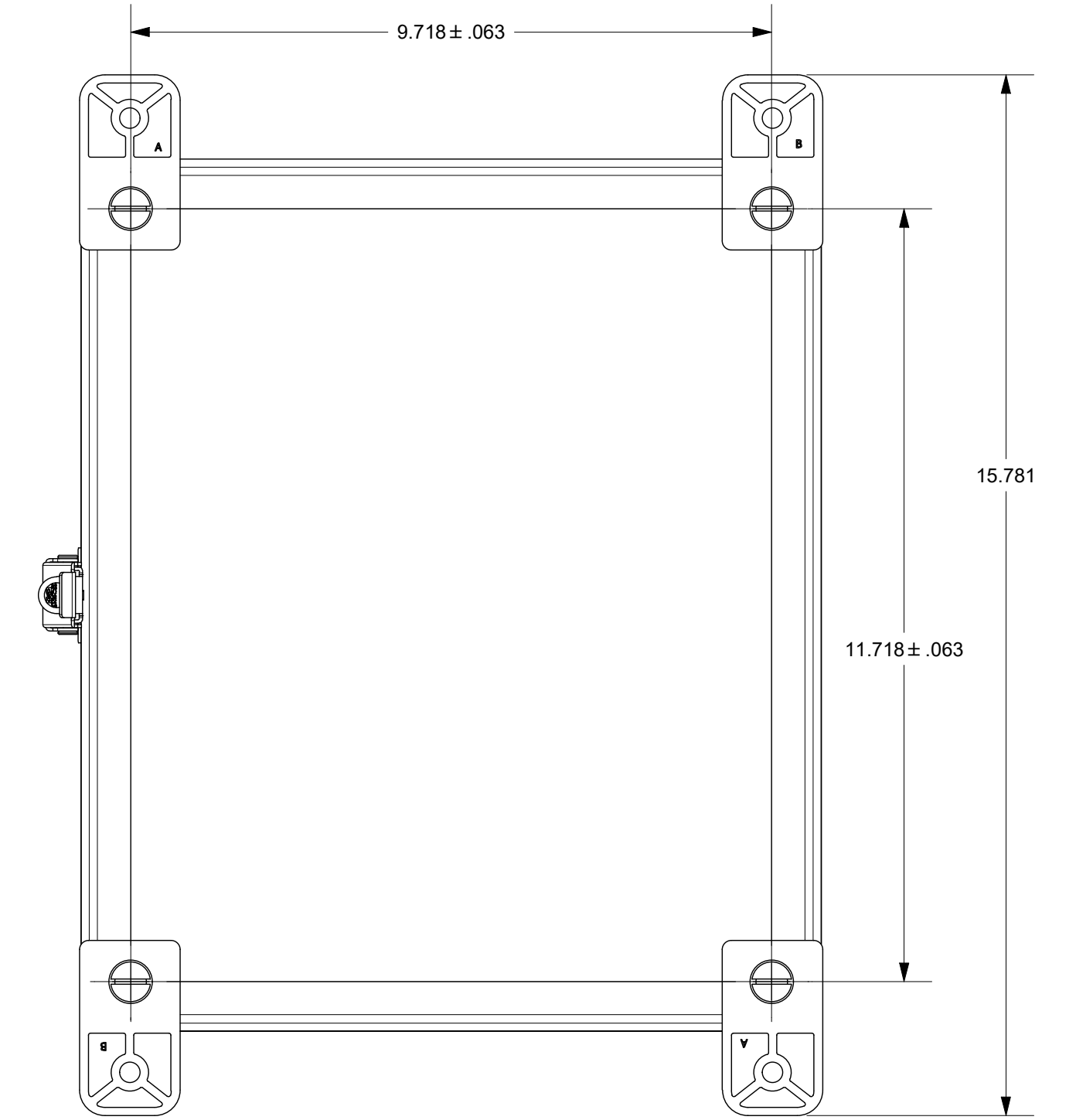
SECTION A-A



FOR REFERENCE ONLY
MOUNTING FEET SHOWN AS INSTALLED



SECTION B-B



DETAIL A

WINDOW MATERIAL: S.A.R. ACRYLIC, 1/4" THICK
 ABRABE INSIDE COVER SURFACE PRIOR TO BONDING
 WINDOW BONDED USING MA-320
 WINDOW SURFACE FLUSH TOLERANCE: +0.020 / -0.030
 0.010 MAX. EXPANSION GAP BETWEEN COVER CUTOUT & WINDOW

THIS DRAWING IS THE SOLE AND EXCLUSIVE PROPERTY OF ROBROY ENCLOSURES. NO PART OF THIS DRAWING MAY BE REPRODUCED, DISTRIBUTED, OR PUBLICALLY DISPLAYED IN ANY FORM OR BY ANY MEANS WITHOUT THE EXPRESS WRITTEN PERMISSION OF ROBROY ENCLOSURES. ALL RIGHTS RESERVED. UNDER THE COPYRIGHT LAWS. COPYRIGHT © 2018 ROBROY ENCLOSURES

- SPECIAL REQUIREMENTS**
- ASSEMBLY:**
 1. MOUNTING FEET SHOWN AS INSTALLED - FOR REFERENCE ONLY
 - SOLD SEPARATELY
 - CLASSIC SERIES MOUNTING FOOT KIT (FECLMTGFTKIT)
 - INCLUDES (4) 5/16-18 x 1/2 FLAT HEAD SLOTTED SCREWS (RMSCS/16-18X1/2FL)
 2. (1) CLASSIC SERIES SCREW PACK (WIP4PKBP) SHALL BE PACKAGED LOOSELY INSIDE ENCLOSURE
 HARDWARE INCLUDED:
 - (4) #10-32 x 3/8 PAN HEAD SCREW (RMSC10/32X3/8ZN)
 - (4) #10 WASHER (RMWAS10ZN)
 3. (1) STYROFOAM SHEET SHALL BE PLACED ON TOP OF WINDOW INSIDE CARTON

NEMA 250: TYPE 1, 3, 3S, 3R, 4X, 12	STANDARD P/N: CLW1311HPL	ALL DIMENSIONS ARE IN INCHES UNLESS OTHERWISE SPECIFIED	TOLERANCES UNLESS SPECIFIED	.XX ± 0.03	.XXX ± 0.010																																				
IEC 60529: N/A	CUSTOMER DWG:	<p>STAHLIN A ROBROY ENCLOSURES™ BRAND</p> <p>Robroy Enclosures 500 Maple Street Belding, Michigan 48809 Phone: 616-794-0700 Fax: 616-749-3378</p>																																							
COLOR: GLACIER GRAY (WPR3013)		<table border="1"> <thead> <tr> <th colspan="2">REVISION HISTORY</th> <th>DATE</th> <th>ENG</th> </tr> </thead> <tbody> <tr> <td>REV</td> <td>DESCRIPTION</td> <td></td> <td></td> </tr> <tr> <td>-</td> <td>UPDATED TOLERANCE FOR MOUNTING FOOT LOCATION</td> <td>12/8/20</td> <td>BH</td> </tr> <tr> <td>-</td> <td>-</td> <td>-</td> <td>-</td> </tr> <tr> <td>-</td> <td>-</td> <td>-</td> <td>-</td> </tr> <tr> <td>-</td> <td>-</td> <td>-</td> <td>-</td> </tr> <tr> <td>-</td> <td>-</td> <td>-</td> <td>-</td> </tr> <tr> <td>-</td> <td>-</td> <td>-</td> <td>-</td> </tr> <tr> <td>-</td> <td>-</td> <td>-</td> <td>-</td> </tr> </tbody> </table>				REVISION HISTORY		DATE	ENG	REV	DESCRIPTION			-	UPDATED TOLERANCE FOR MOUNTING FOOT LOCATION	12/8/20	BH	-	-	-	-	-	-	-	-	-	-	-	-	-	-	-	-	-	-	-	-	-	-	-	-
REVISION HISTORY		DATE	ENG																																						
REV	DESCRIPTION																																								
-	UPDATED TOLERANCE FOR MOUNTING FOOT LOCATION	12/8/20	BH																																						
-	-	-	-																																						
-	-	-	-																																						
-	-	-	-																																						
-	-	-	-																																						
-	-	-	-																																						
-	-	-	-																																						
COLOR STANDARD: PANTONE 428 C		<table border="1"> <thead> <tr> <th>DRAWN BY</th> <th>DATE</th> <th>CUSTOMER</th> <th>DWG</th> </tr> </thead> <tbody> <tr> <td>ARB</td> <td>11/20/18</td> <td></td> <td>CLW1311HPL</td> </tr> <tr> <th>SCALE</th> <th>DESCRIPTION</th> <th>PART NUMBER</th> <th></th> </tr> <tr> <td>DO NOT SCALE</td> <td>STANDARD ENCLOSURE</td> <td>FECLW1311HPL</td> <td></td> </tr> </tbody> </table>				DRAWN BY	DATE	CUSTOMER	DWG	ARB	11/20/18		CLW1311HPL	SCALE	DESCRIPTION	PART NUMBER		DO NOT SCALE	STANDARD ENCLOSURE	FECLW1311HPL																					
DRAWN BY	DATE	CUSTOMER	DWG																																						
ARB	11/20/18		CLW1311HPL																																						
SCALE	DESCRIPTION	PART NUMBER																																							
DO NOT SCALE	STANDARD ENCLOSURE	FECLW1311HPL																																							