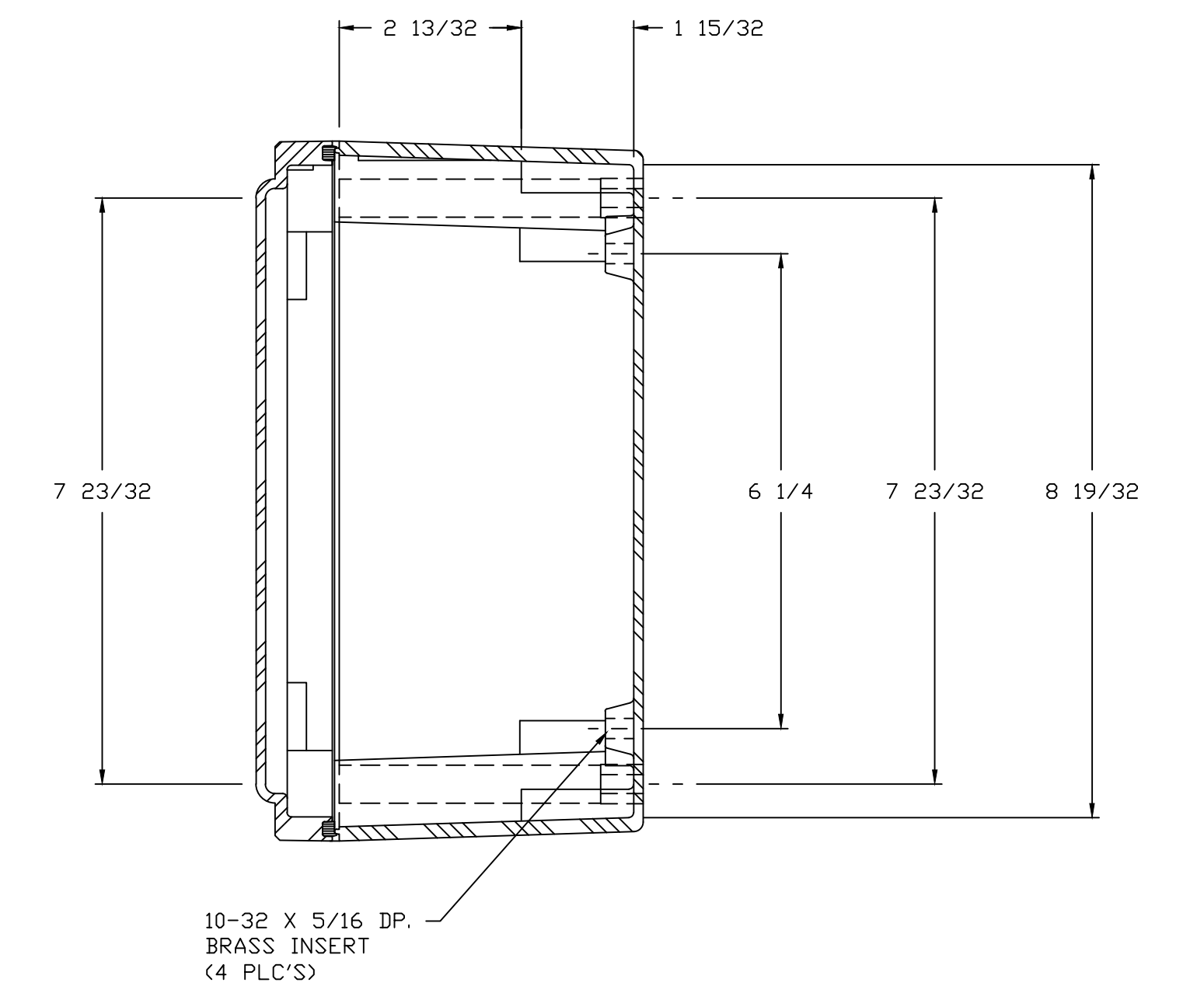
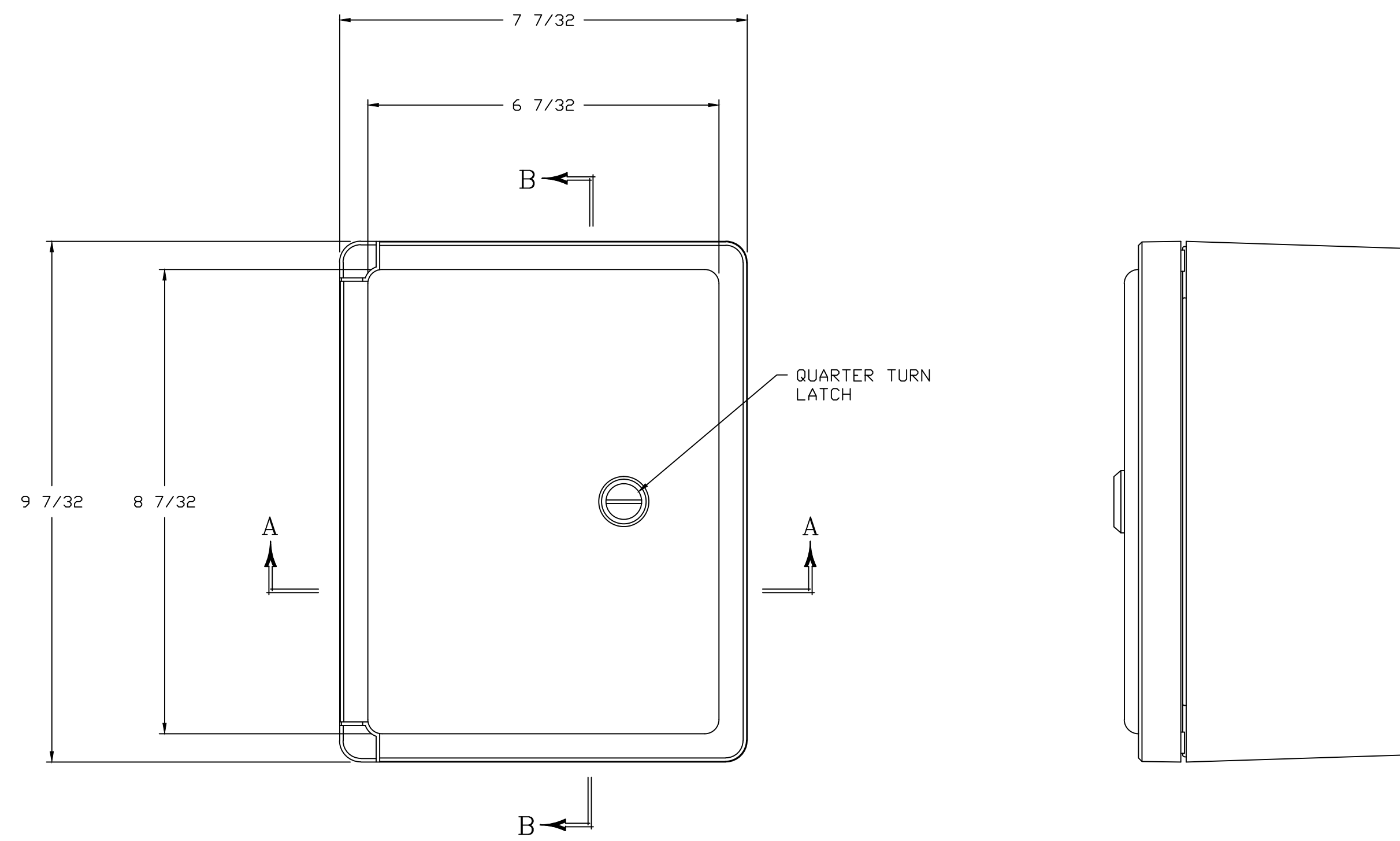
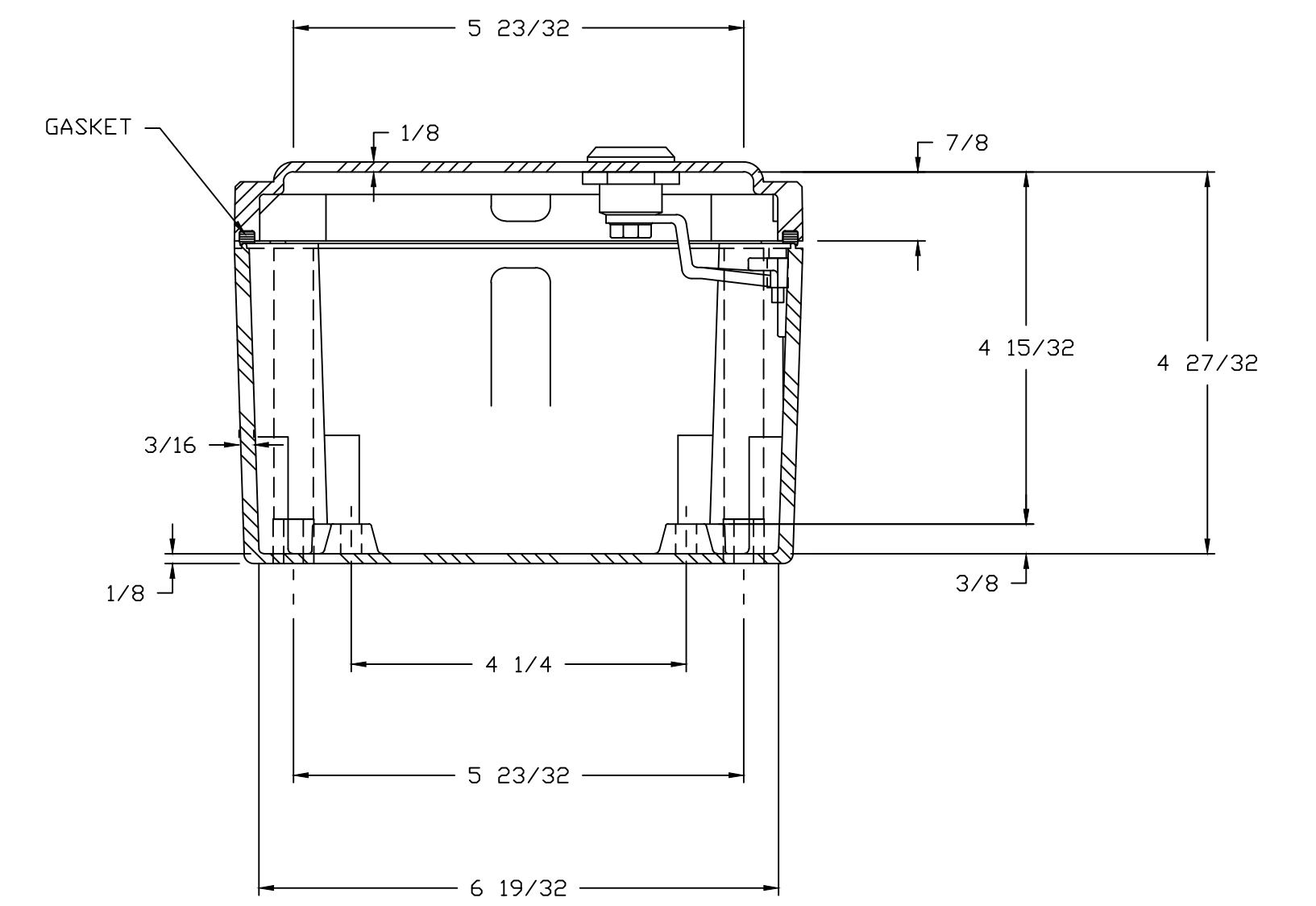
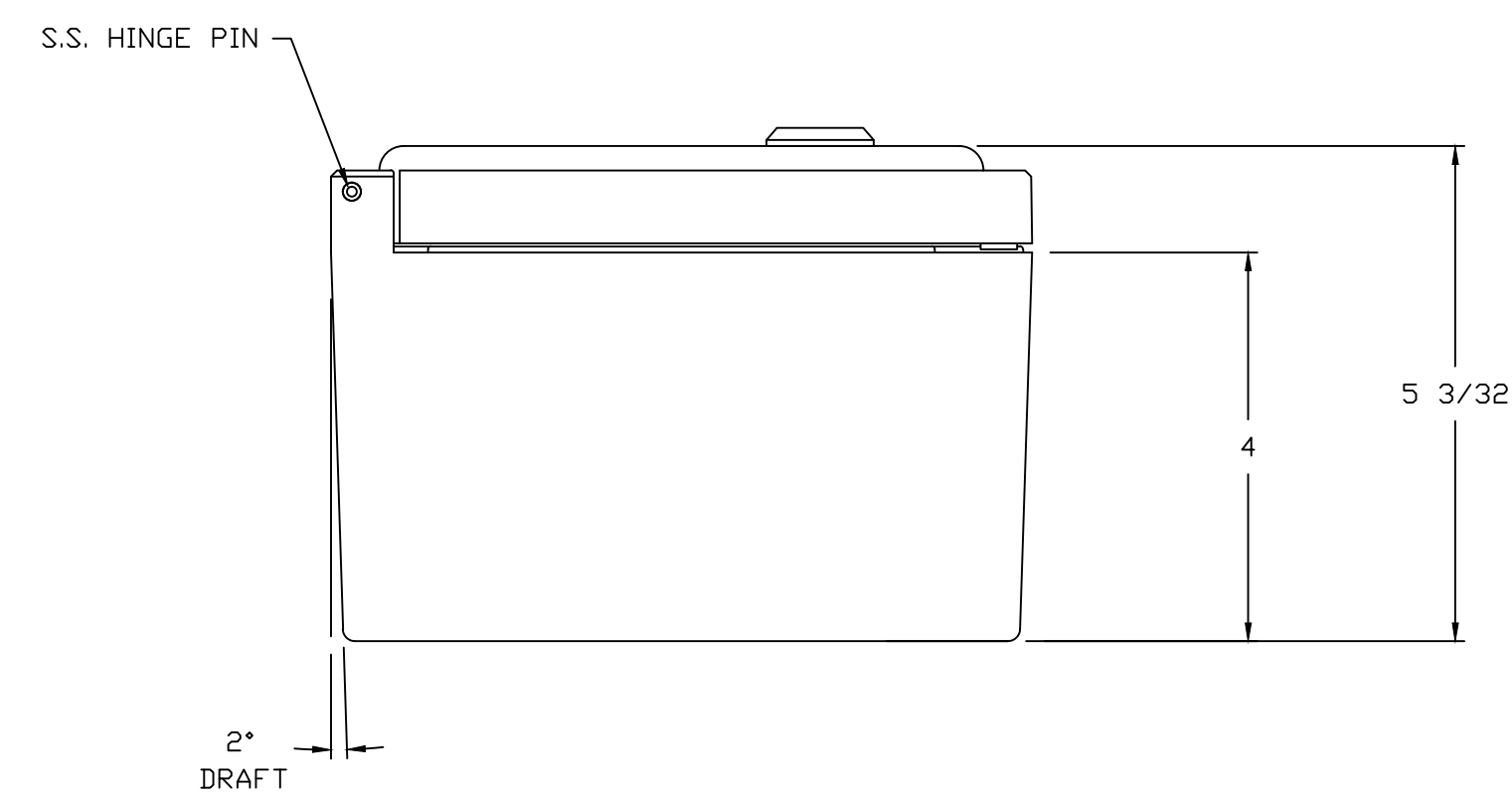



INSIDE VIEW
WITHOUT COVER



SECTION B-B



SECTION A-A

NOTES:										
NEMA 4X					TOLERANCES UNLESS SPECIFIED		DECIMAL ± .010	FRACTIONAL ± 1/32		
COLOR GLACIER GRAY RR1013										
MATERIAL FR POLYESTER FIBERGLASS					DR. BY GF	DATE 7/12/96	 STAHLIN ENCLOSURES DIVISION OF ROBROY INDUSTRIES		BELDING, MICHIGAN 48809	
LET.	REVISION RECORD	DATE	BY	CHD.	CHK. BY	DATE			CUSTOMER	
					APD. BY	DATE				
					SCALE DO NOT SCALE	PART NAME ENCLOSURE		PART NO. CL907HL		