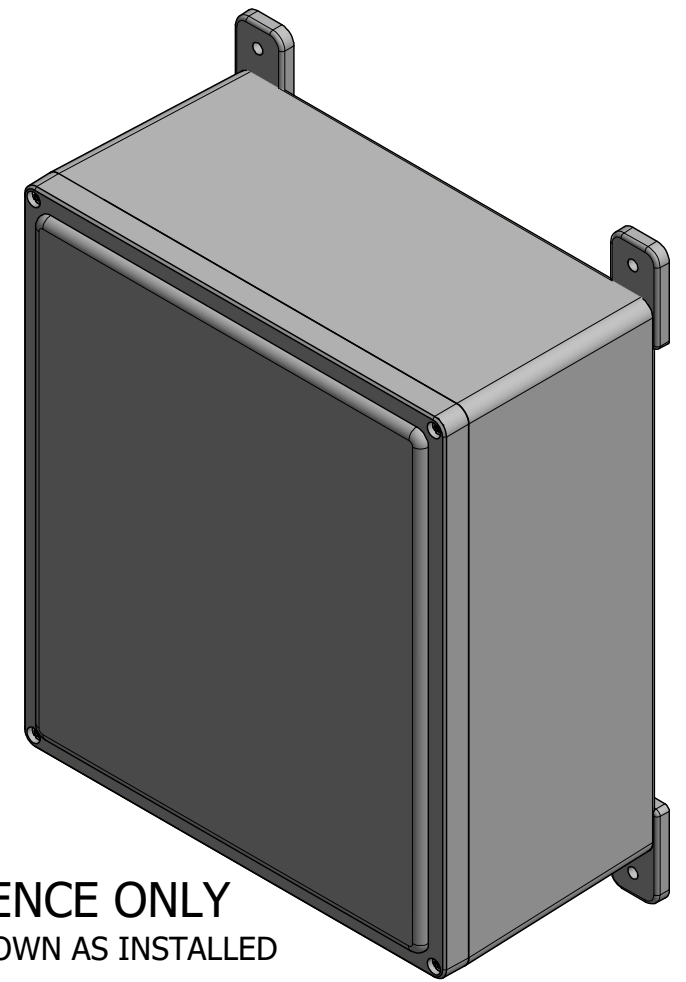
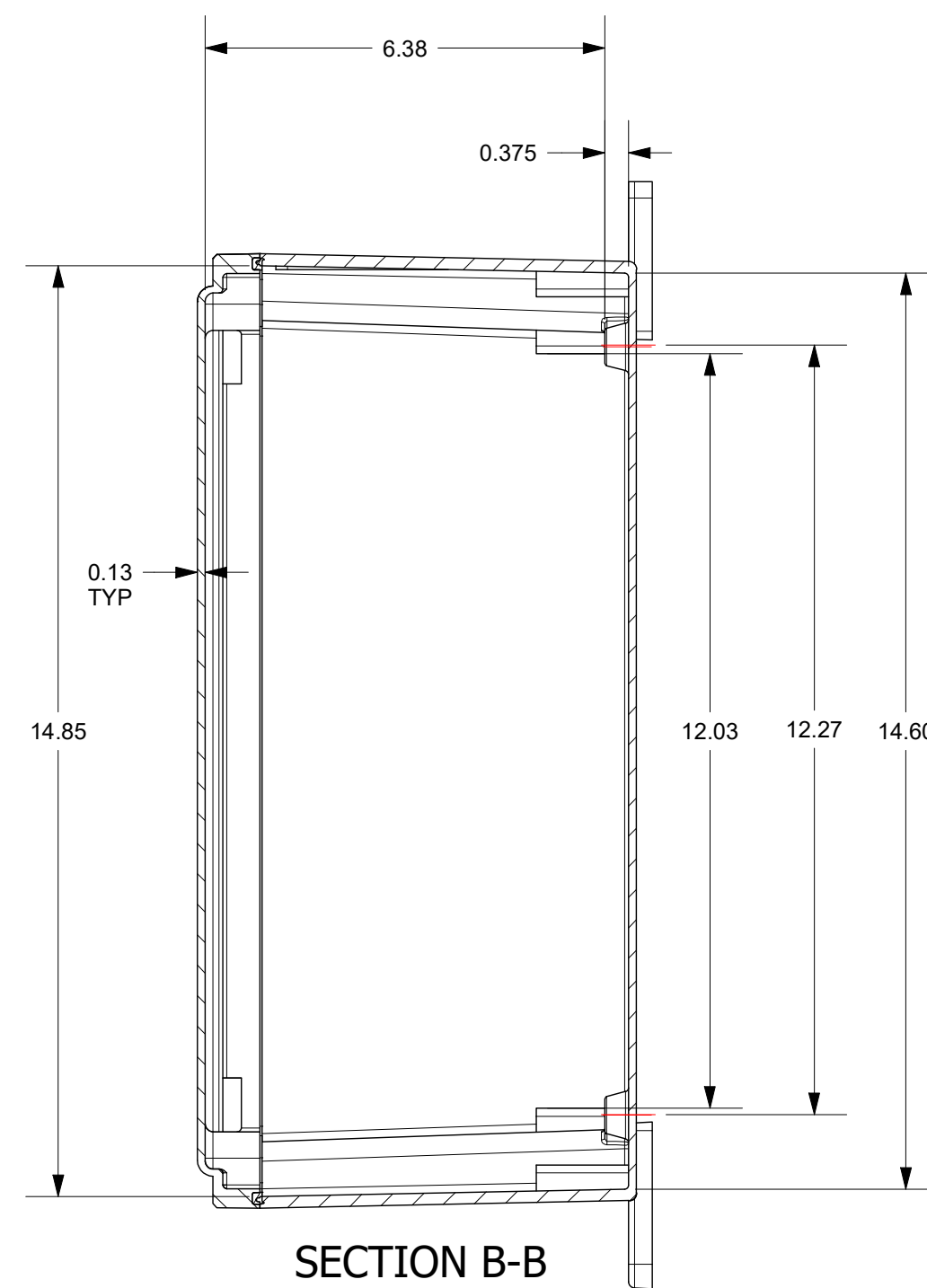
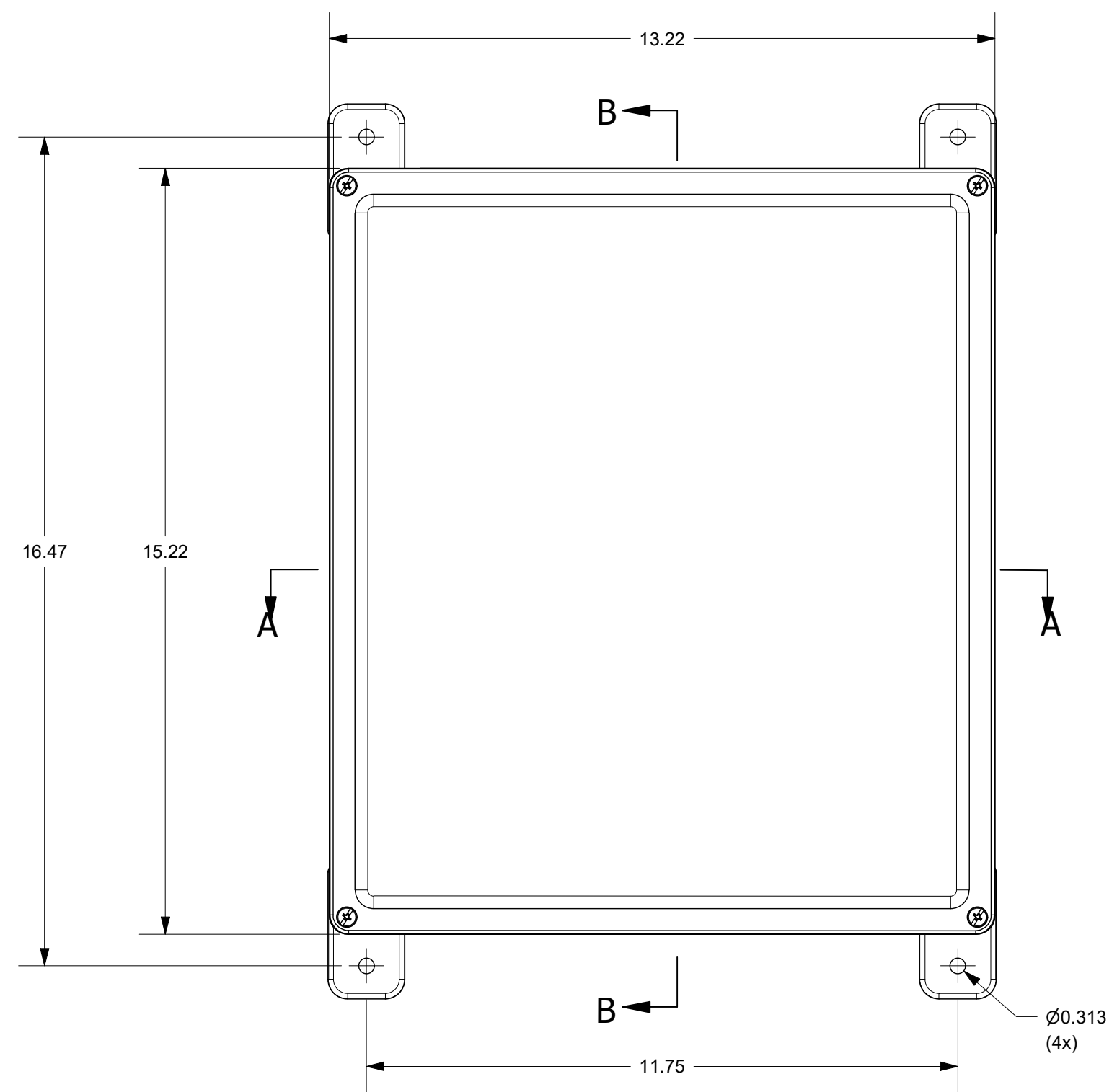


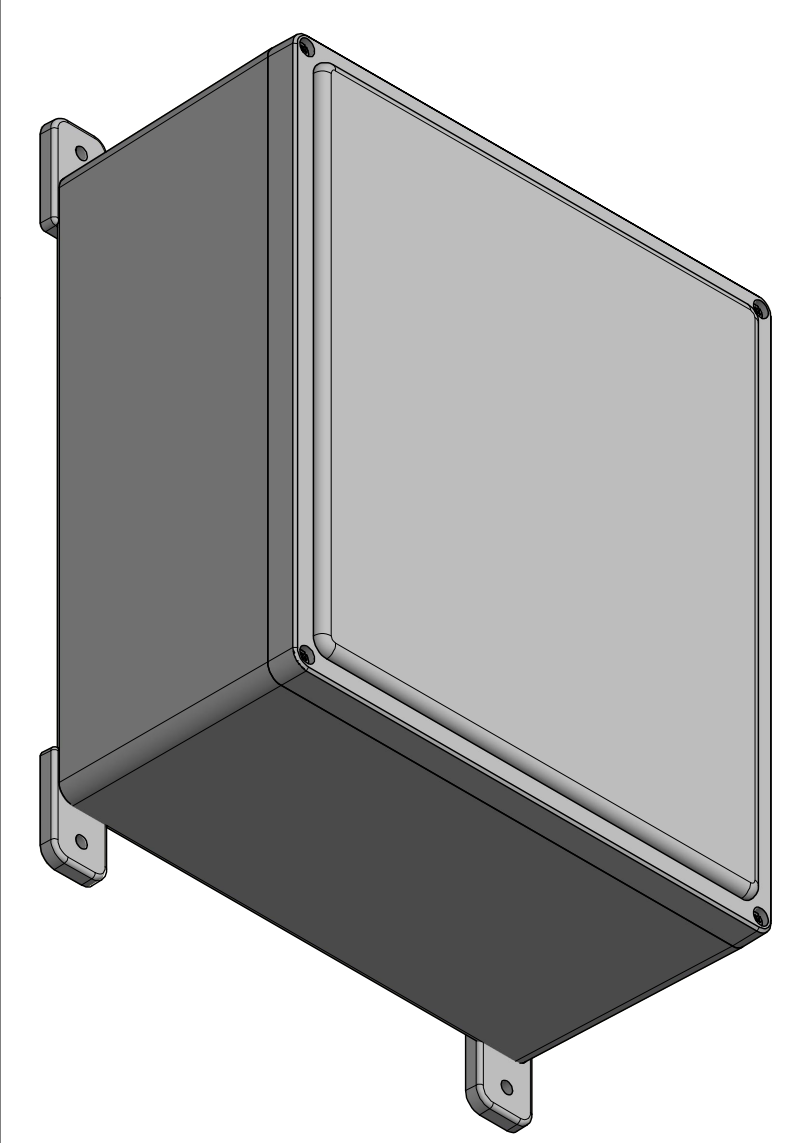
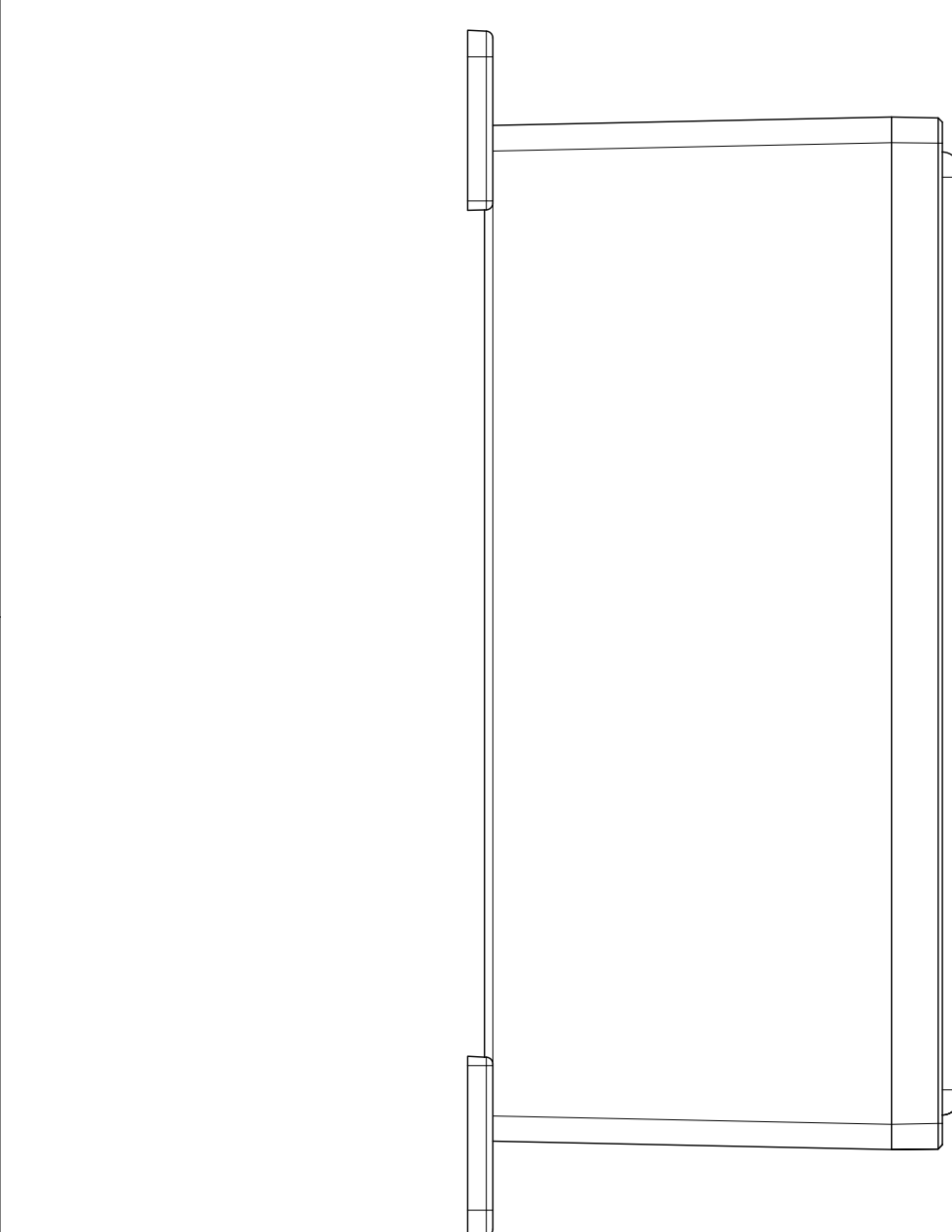
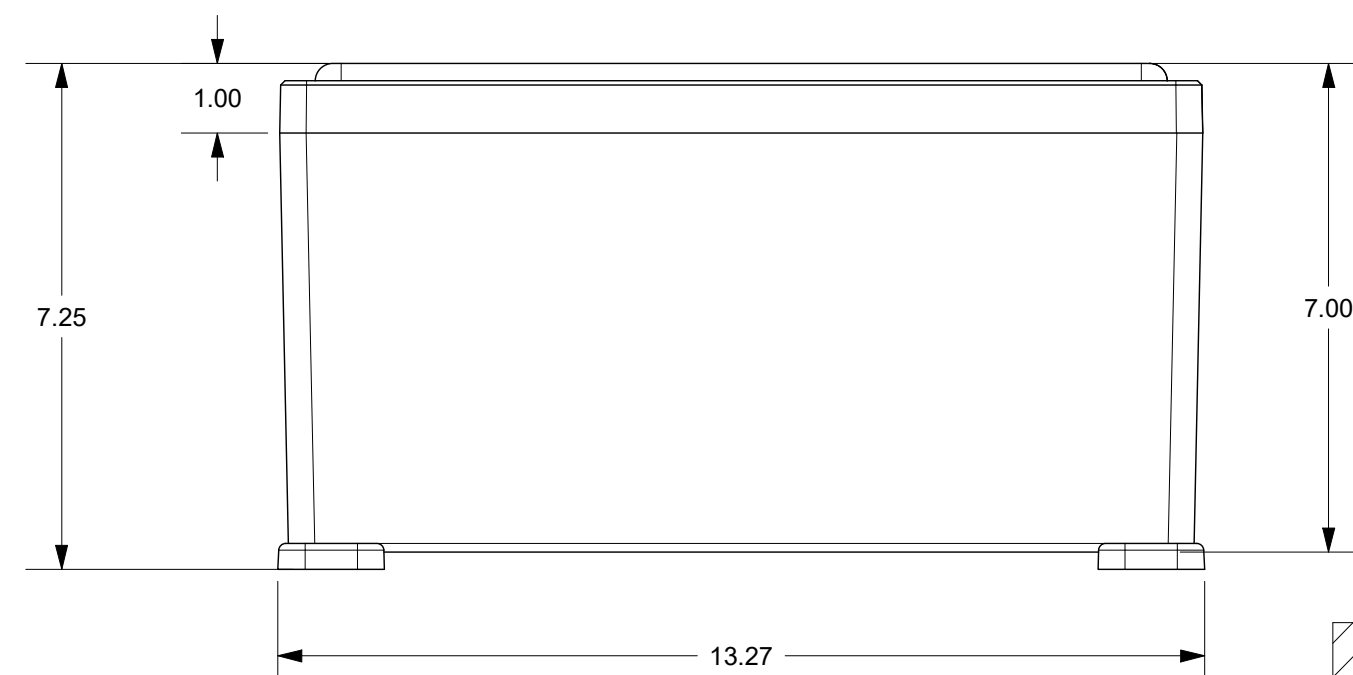
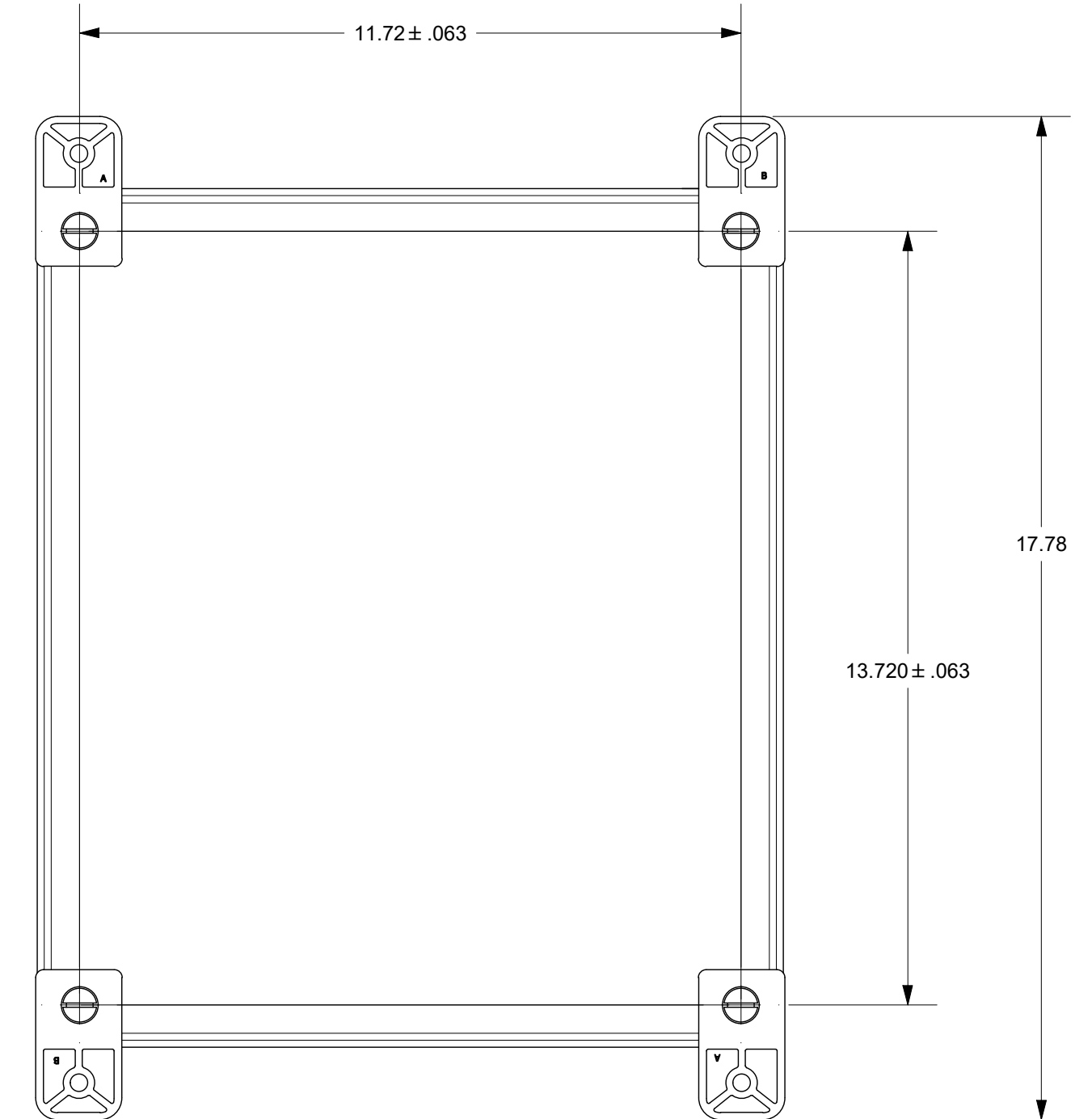
SECTION A-A



FOR REFERENCE ONLY
MOUNTING FEET SHOWN AS INSTALLED




SECTION B-B



THIS DRAWING IS THE SOLE AND EXCLUSIVE PROPERTY OF ROBROY ENCLOSURES. NO PART OF THIS DRAWING MAY BE REPRODUCED, DISTRIBUTED, OR PUBLICALLY DISPLAYED IN ANY FORM OR BY ANY MEANS WITHOUT THE EXPRESS WRITTEN PERMISSION OF ROBROY ENCLOSURES. ALL RIGHTS RESERVED. UNDER THE COPYRIGHT LAWS. COPYRIGHT © 2018 ROBROY ENCLOSURES

END USER NOTES:
1. TORQUE COVER SCREWS TO 20-24 IN.-LBS. TO MAINTAIN NEMA RATINGS

SPECIAL REQUIREMENTS
ASSEMBLY:
 1. MOUNTING FEET SHOWN AS INSTALLED - FOR REFERENCE ONLY
 - SOLD SEPARATELY
 - CLASSIC SERIES MOUNTING FOOT KIT (FECLMTGFTKIT)
 - INCLUDES (4) 5/16-18 x 1/2 FLAT HEAD SLOTTED SCREWS (RMSC5/16-18X1/2FL)
 2. (1) CLASSIC SERIES SCREW PACK (WPK4PKLBP) SHALL BE PACKAGED LOOSELY INSIDE ENCLOSURE
 HARDWARE INCLUDED:
 - (4) #10-24 x 1 PAN HEAD COMBINATION DRIVE SCREW (RMSC10-24X1COMBO)
 - (4) #10-32 x 3/8 PAN HEAD SCREW (RMSC10-32X3/8Z4)
 - (4) #10 WASHER (RMWAS10ZN)
 - (4) O-RING FOR COVER SCREW (RMAS69007)
 3. (1) STYROFOAM SHEET SHALL BE PLACED BETWEEN BOX AND COVER INSIDE CARTON

NEMA 250: TYPE 1, 3, 3S, 3R, 4X, 12		STANDARD P/N: CL1513W		ALL DIMENSIONS ARE IN INCHES UNLESS OTHERWISE SPECIFIED		TOLERANCES UNLESS SPECIFIED		.XX ± 0.03 .XXX ± 0.010																																																																							
IEC 60529: N/A		CUSTOMER DWG:		COLOR: GLACIER GRAY (WPR3013)		COLOR STANDARD: PANTONE 428 C		 Robroy Enclosures 500 Maple Street Belding, Michigan 48809 Phone: 616-794-0700 Fax: 616-749-3378																																																																							
<table border="1"> <thead> <tr> <th colspan="4">REVISION HISTORY</th> <th>DATE</th> <th>ENG</th> <th>DRAWN BY</th> <th>DATE</th> <th>CUSTOMER</th> <th>DWG</th> </tr> </thead> <tbody> <tr> <td>REV</td> <td>DESCRIPTION</td> <td>DATE</td> <td>ENG</td> <td></td> <td></td> <td></td> <td></td> <td></td> <td></td> </tr> <tr> <td>-</td> <td>UPDATED TOLERANCE FOR MOUNTING FOOT LOCATION</td> <td>12/8/20</td> <td>BH</td> <td></td> <td></td> <td></td> <td></td> <td></td> <td></td> </tr> <tr> <td>-</td> <td>-</td> <td>-</td> <td>-</td> <td></td> <td></td> <td></td> <td></td> <td></td> <td></td> </tr> <tr> <td>-</td> <td>-</td> <td>-</td> <td>-</td> <td></td> <td></td> <td></td> <td></td> <td></td> <td></td> </tr> <tr> <td>-</td> <td>-</td> <td>-</td> <td>-</td> <td></td> <td></td> <td></td> <td></td> <td></td> <td></td> </tr> <tr> <td>-</td> <td>-</td> <td>-</td> <td>-</td> <td></td> <td></td> <td></td> <td></td> <td></td> <td></td> </tr> </tbody> </table>										REVISION HISTORY				DATE	ENG	DRAWN BY	DATE	CUSTOMER	DWG	REV	DESCRIPTION	DATE	ENG							-	UPDATED TOLERANCE FOR MOUNTING FOOT LOCATION	12/8/20	BH							-	-	-	-							-	-	-	-							-	-	-	-							-	-	-	-						
REVISION HISTORY				DATE	ENG	DRAWN BY	DATE	CUSTOMER	DWG																																																																						
REV	DESCRIPTION	DATE	ENG																																																																												
-	UPDATED TOLERANCE FOR MOUNTING FOOT LOCATION	12/8/20	BH																																																																												
-	-	-	-																																																																												
-	-	-	-																																																																												
-	-	-	-																																																																												
-	-	-	-																																																																												
MATERIAL: FIBERGLASS REINFORCED POLYESTER (FRP)		SCALE		DESCRIPTION		PART NUMBER		DO NOT SCALE STANDARD ENCLOSURE FECL1513W																																																																							