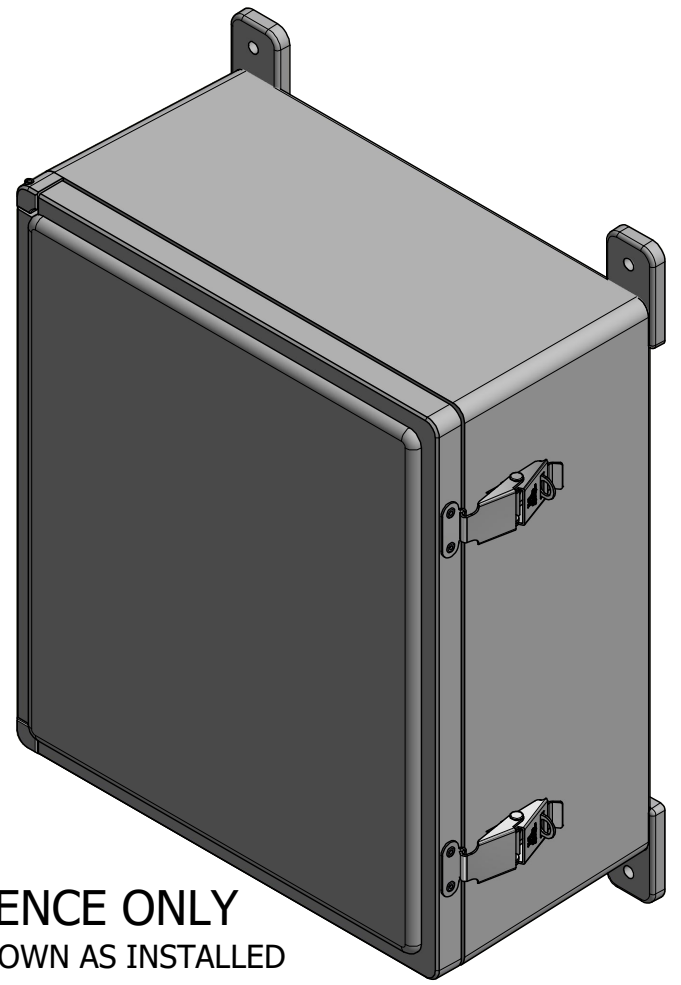
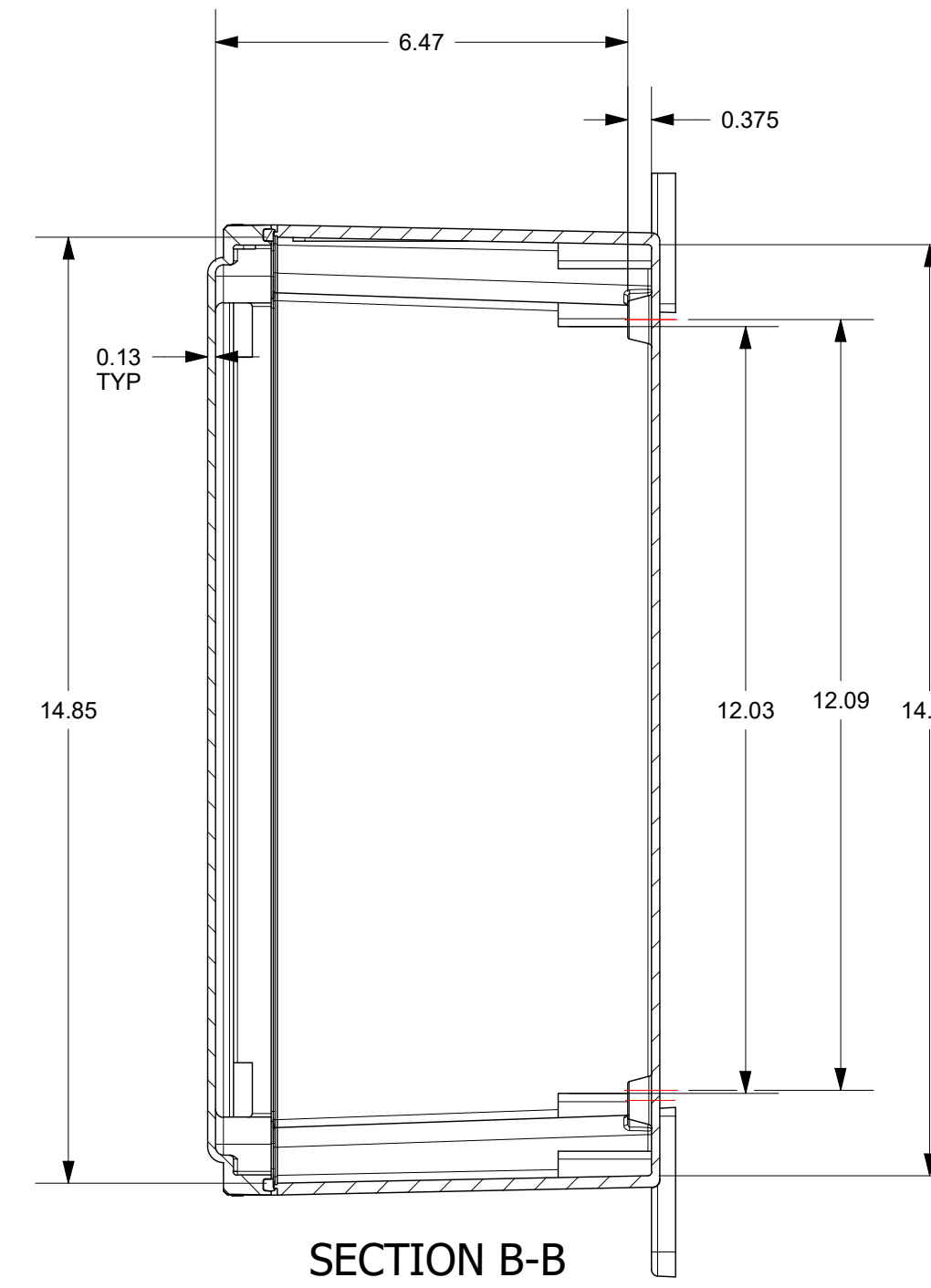
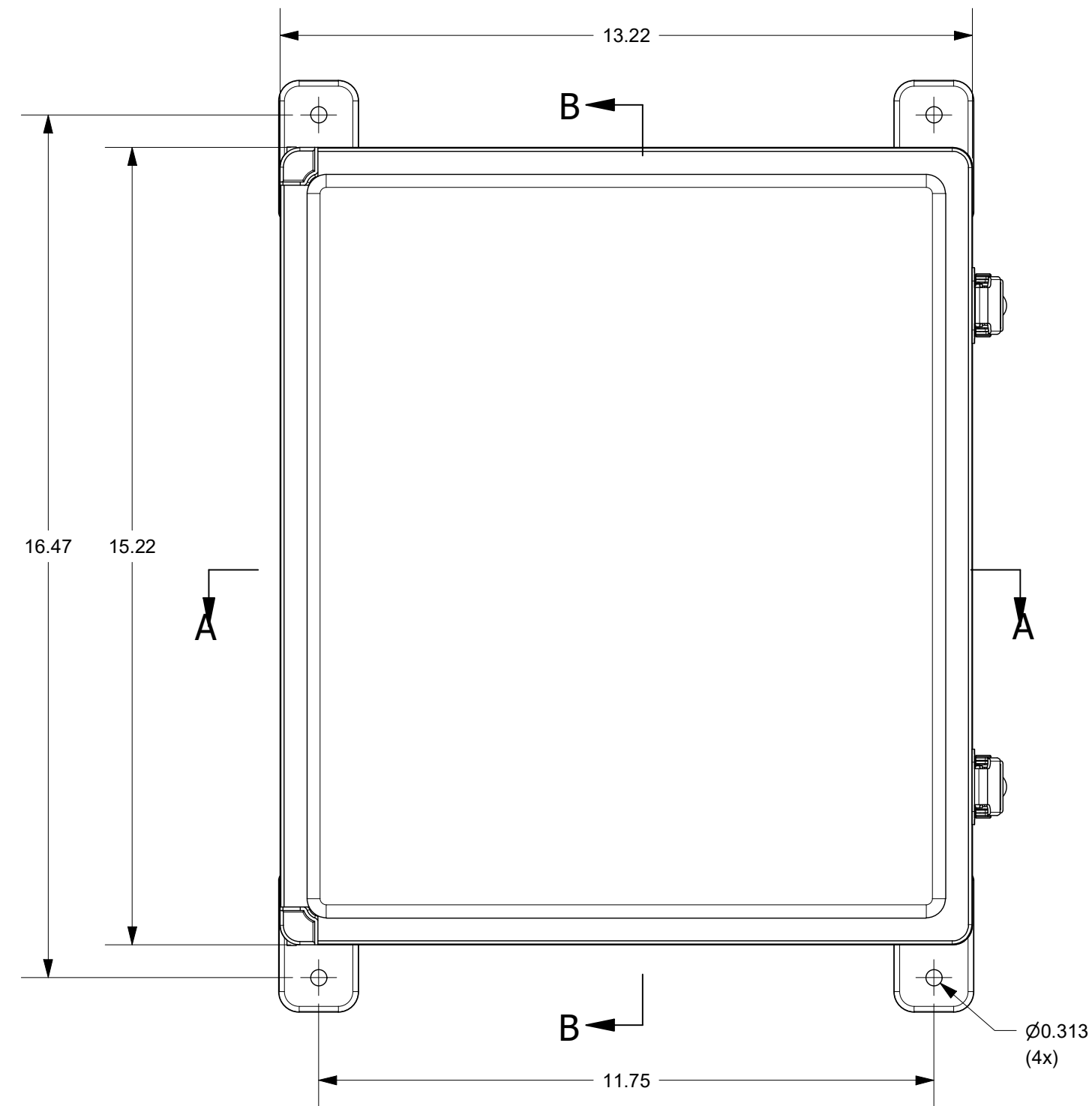


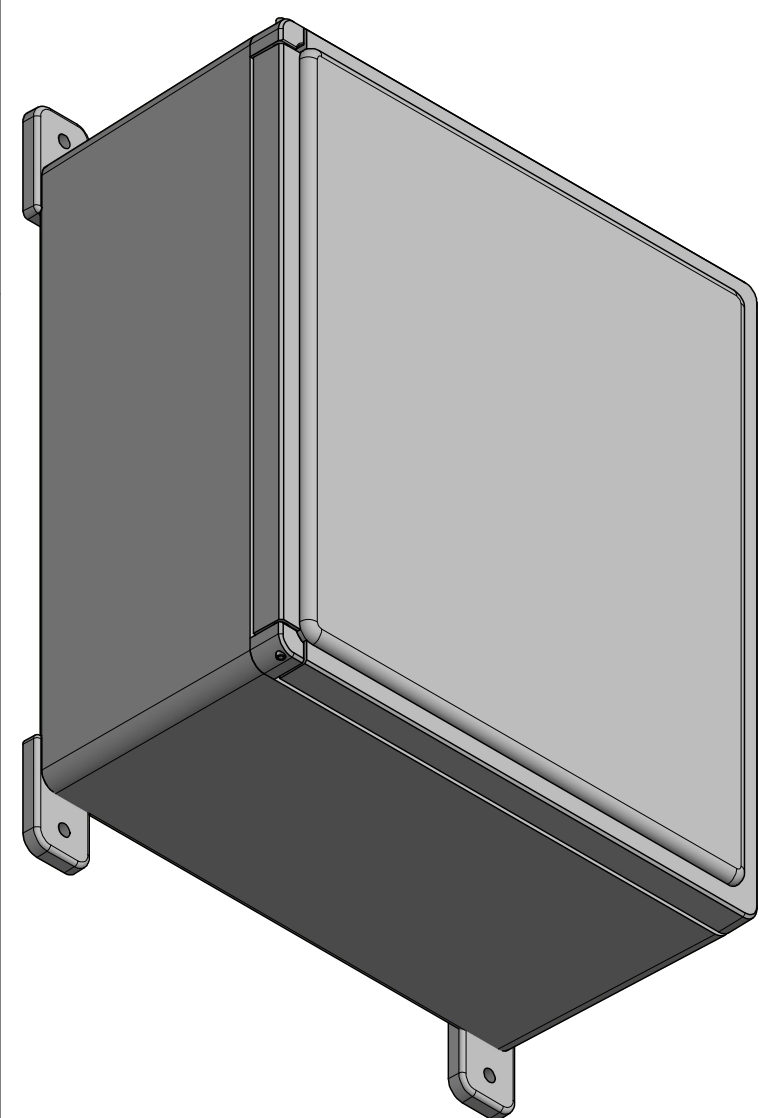
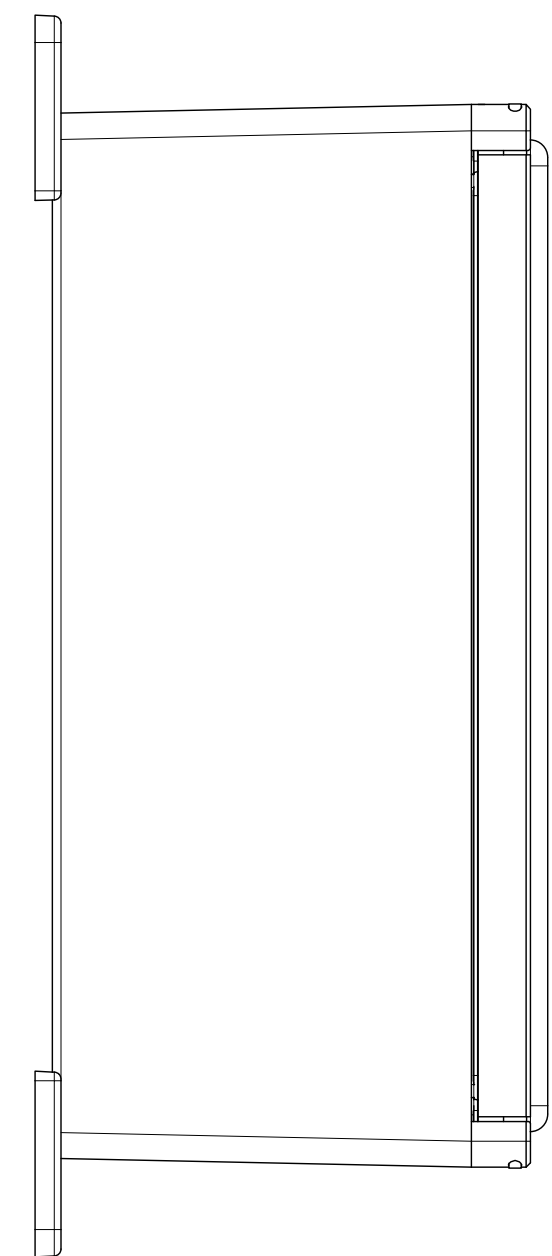
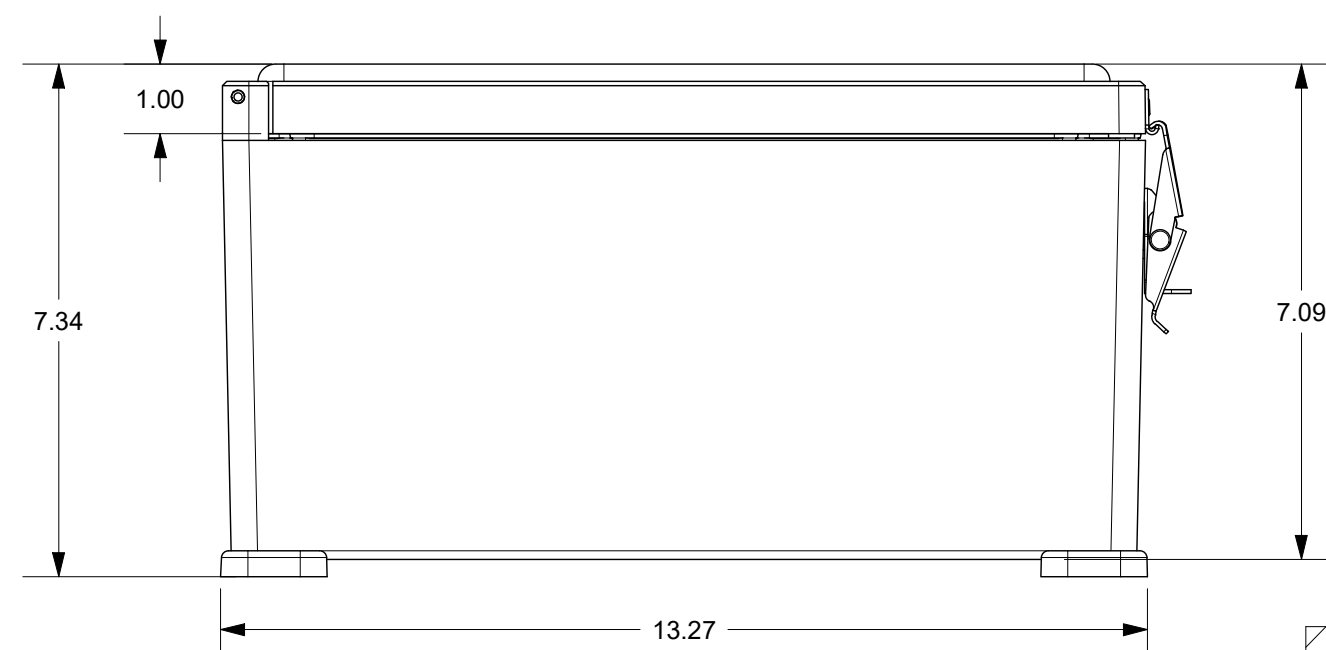
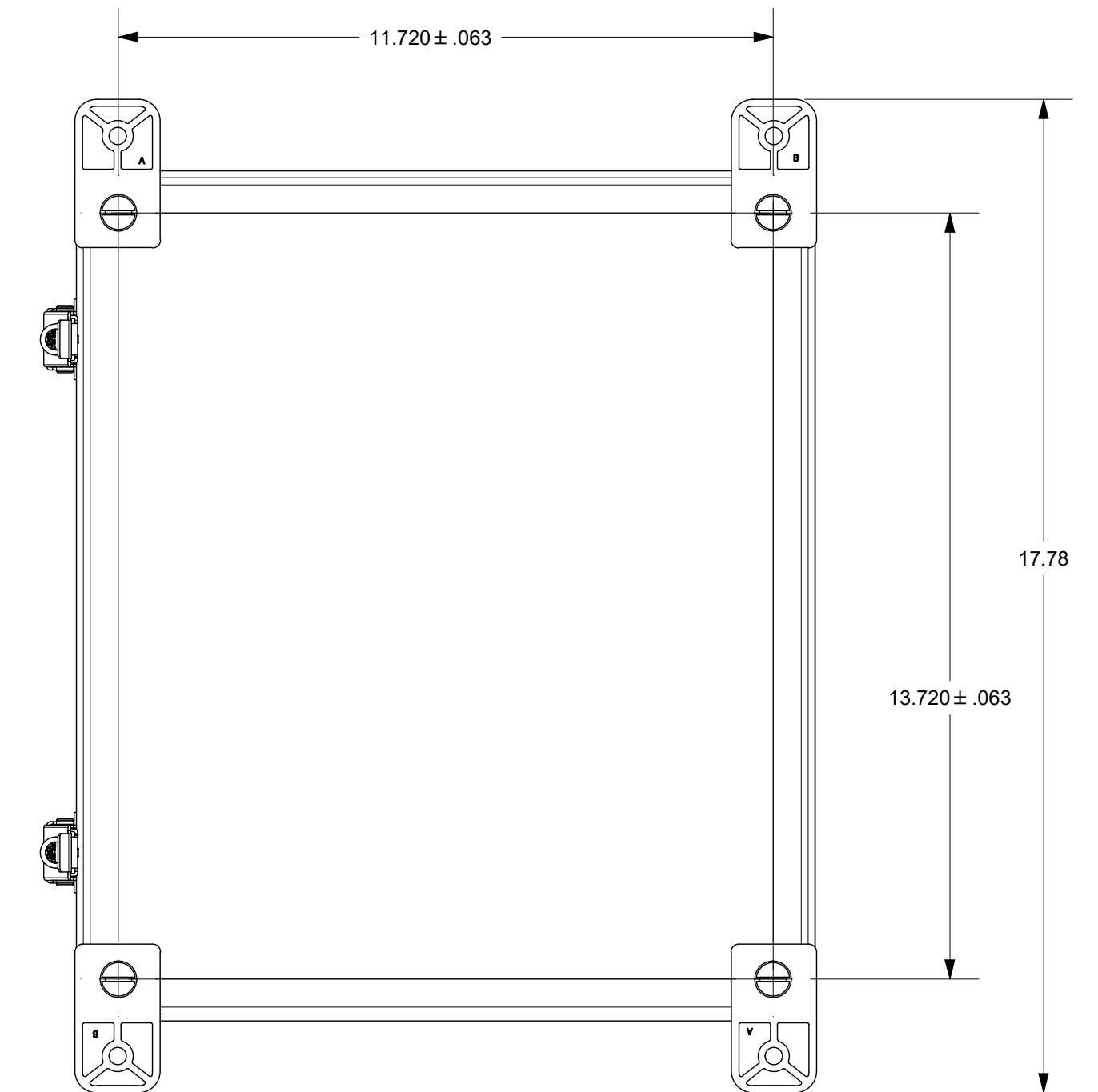
SECTION A-A



FOR REFERENCE ONLY  
MOUNTING FEET SHOWN AS INSTALLED



SECTION B-B



THIS DRAWING IS THE SOLE AND EXCLUSIVE PROPERTY OF ROBROY ENCLOSURES. NO PART OF THIS DRAWING MAY BE REPRODUCED, DISTRIBUTED, OR PUBLICALLY DISPLAYED IN ANY FORM OR BY ANY MEANS WITHOUT THE EXPRESS WRITTEN PERMISSION OF ROBROY ENCLOSURES. ALL RIGHTS RESERVED. UNDER THE COPYRIGHT LAWS. COPYRIGHT © 2018 ROBROY ENCLOSURES.

**SPECIAL REQUIREMENTS**  
**ASSEMBLY:**  
 1. MOUNTING FEET SHOWN AS INSTALLED - FOR REFERENCE ONLY  
 - SOLD SEPARATELY  
 - CLASSIC SERIES MOUNTING FOOT KIT (FECLMTGFTKIT)  
 - INCLUDES (4) 5/16-18 x 1/2 FLAT HEAD SLOTTED SCREWS (RMSCS/16-18X1/2FL)  
 2. (1) CLASSIC SERIES SCREW PACK (WPK4KBP) SHALL BE PACKAGED LOOSELY INSIDE ENCLOSURE

NEMA 250: TYPE 1, 3, 3S, 3R, 4X, 12 IEC 60529: N/A		STANDARD P/N: CL1513HPL	ALL DIMENSIONS ARE IN INCHES UNLESS OTHERWISE SPECIFIED		TOLERANCES UNLESS SPECIFIED	.XX ± 0.03	.XXX ± 0.010
COLOR: GLACIER GRAY (WPR3013) COLOR STANDARD: PANTONE 428 C		CUSTOMER DWG:	DRAWN BY: ARB		DATE: 11/15/18	CUSTOMER	
MATERIAL: FIBERGLASS REINFORCED POLYESTER (FRP)		REVISION HISTORY		SCALE	DESCRIPTION	PART NUMBER	
REV	DESCRIPTION	DATE	ENG	DO NOT SCALE	STANDARD ENCLOSURE	FECL1513HPL	
-	UPDATED TOLERANCE FOR MOUNTING FOOT LOCATION	12/8/20	BH			DWG	
-		-	-			CL1513HPL	
-		-	-				
-		-	-				
-		-	-				

**STÄHLIN**  
 A ROBROY ENCLOSURES™ BRAND  
 Robroy Enclosures  
 500 Maple Street  
 Belding, Michigan 48809  
 Phone: 616-794-0700  
 Fax: 616-749-3378