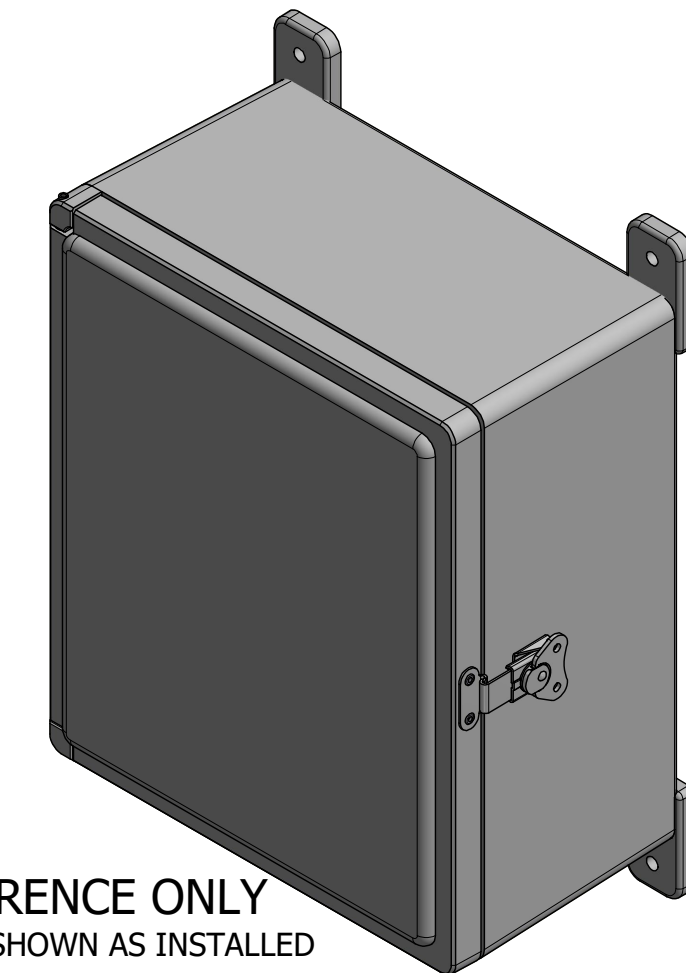
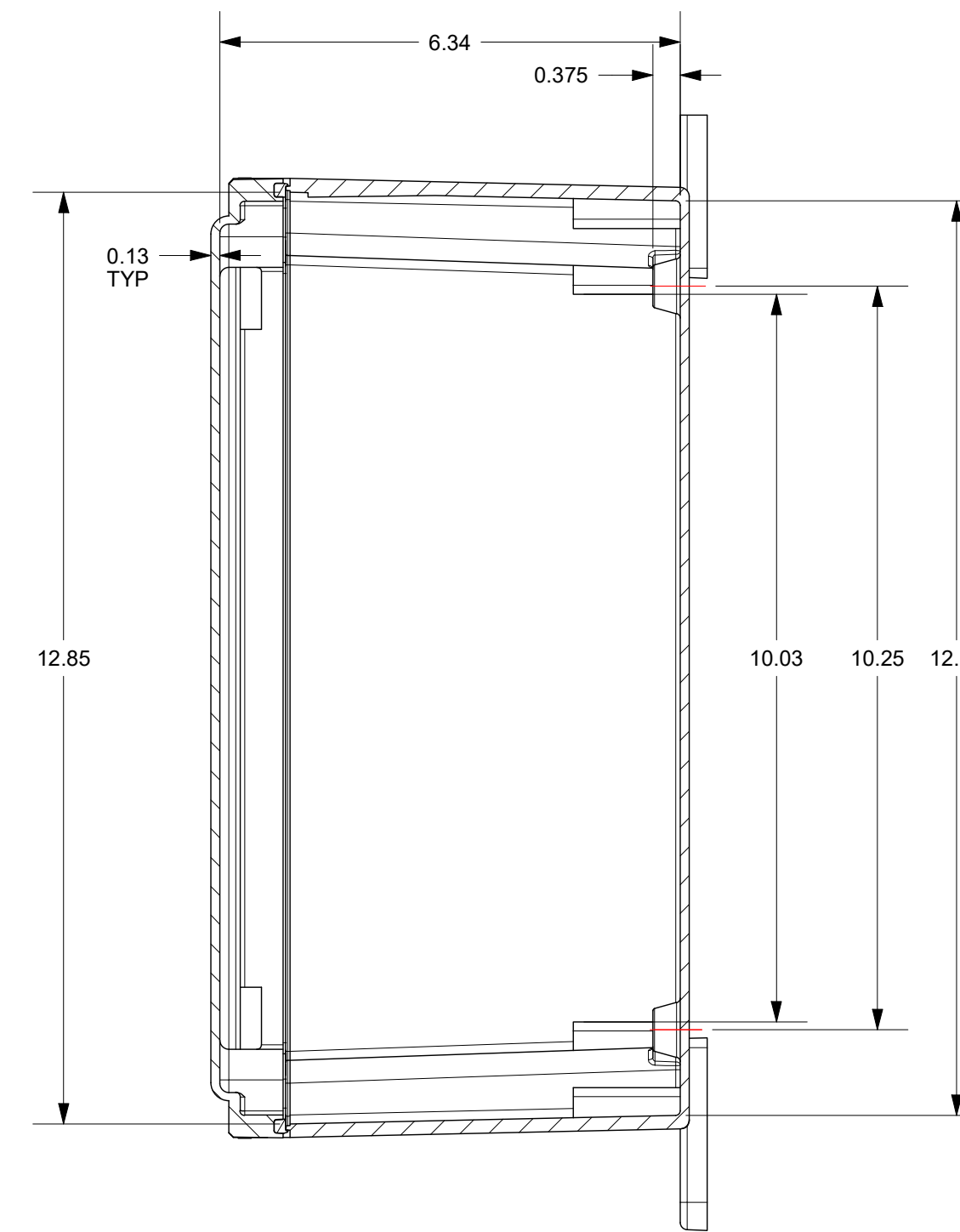
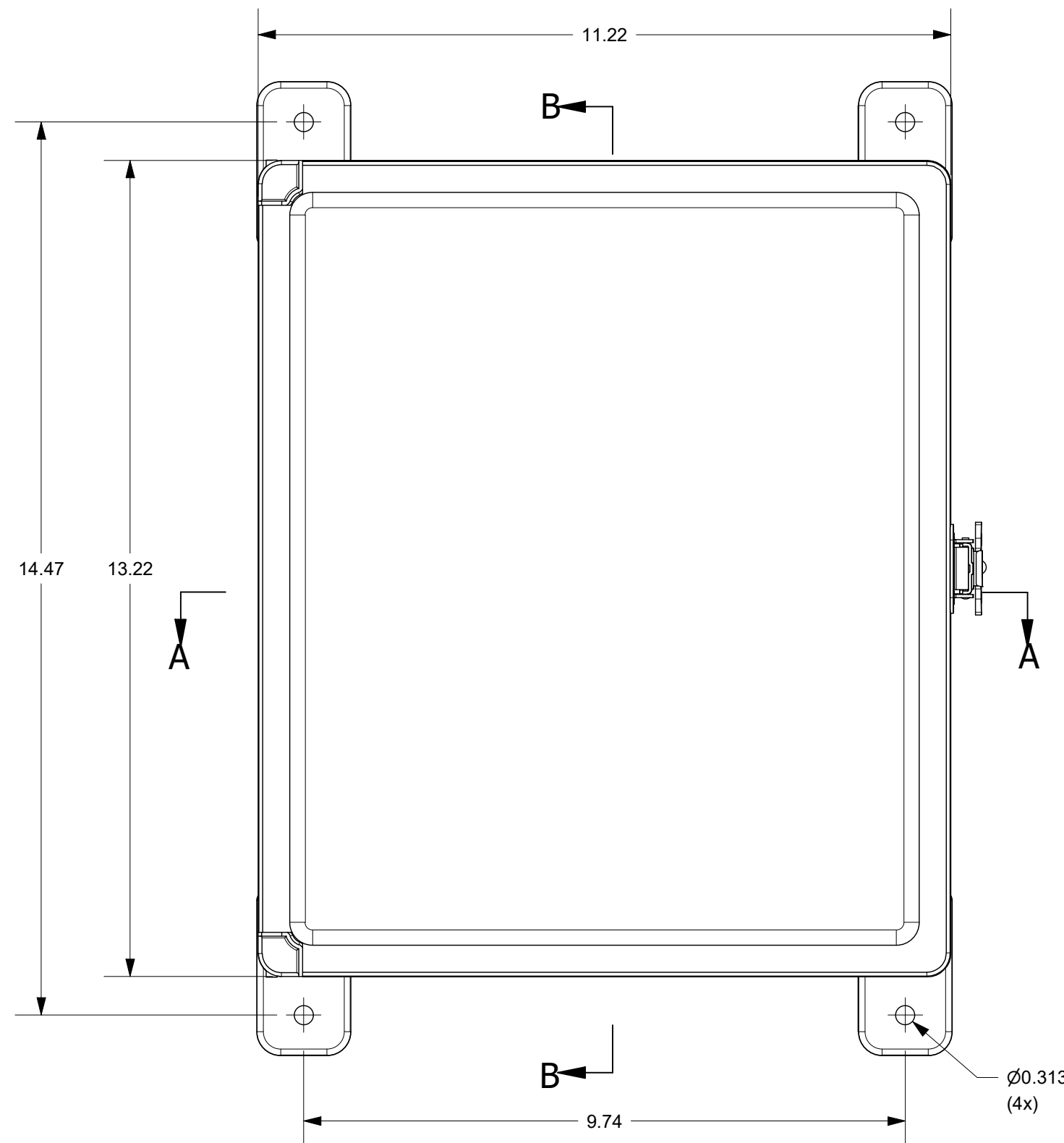


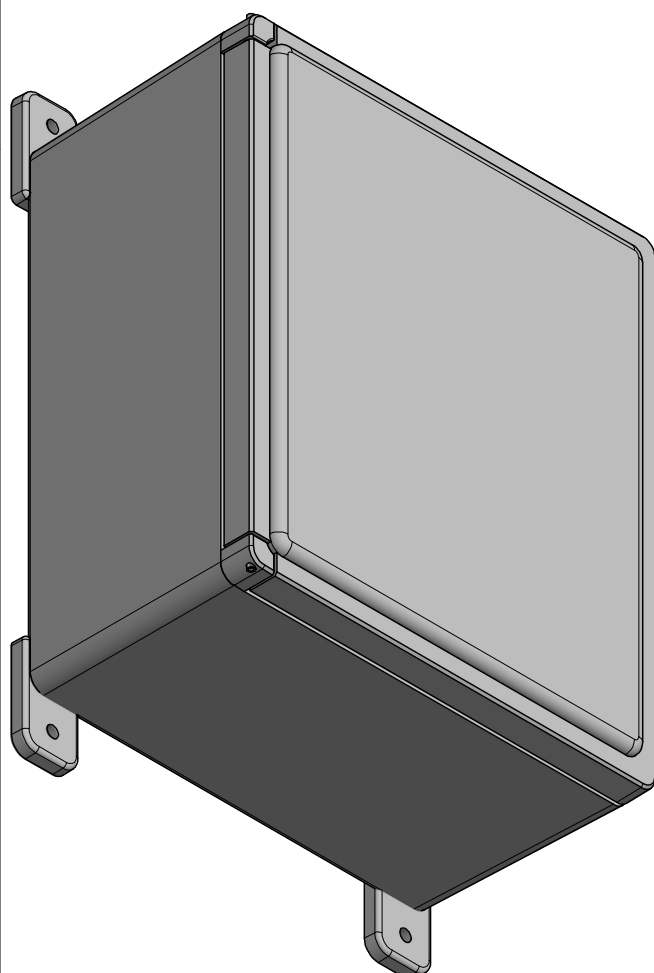
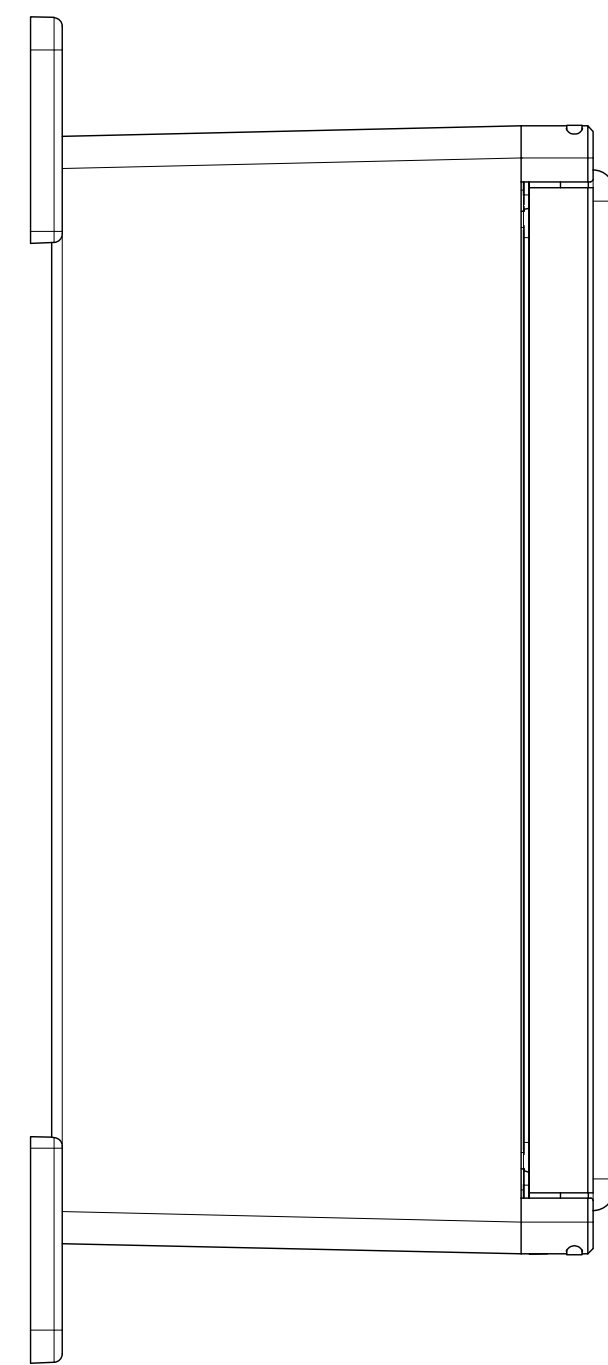
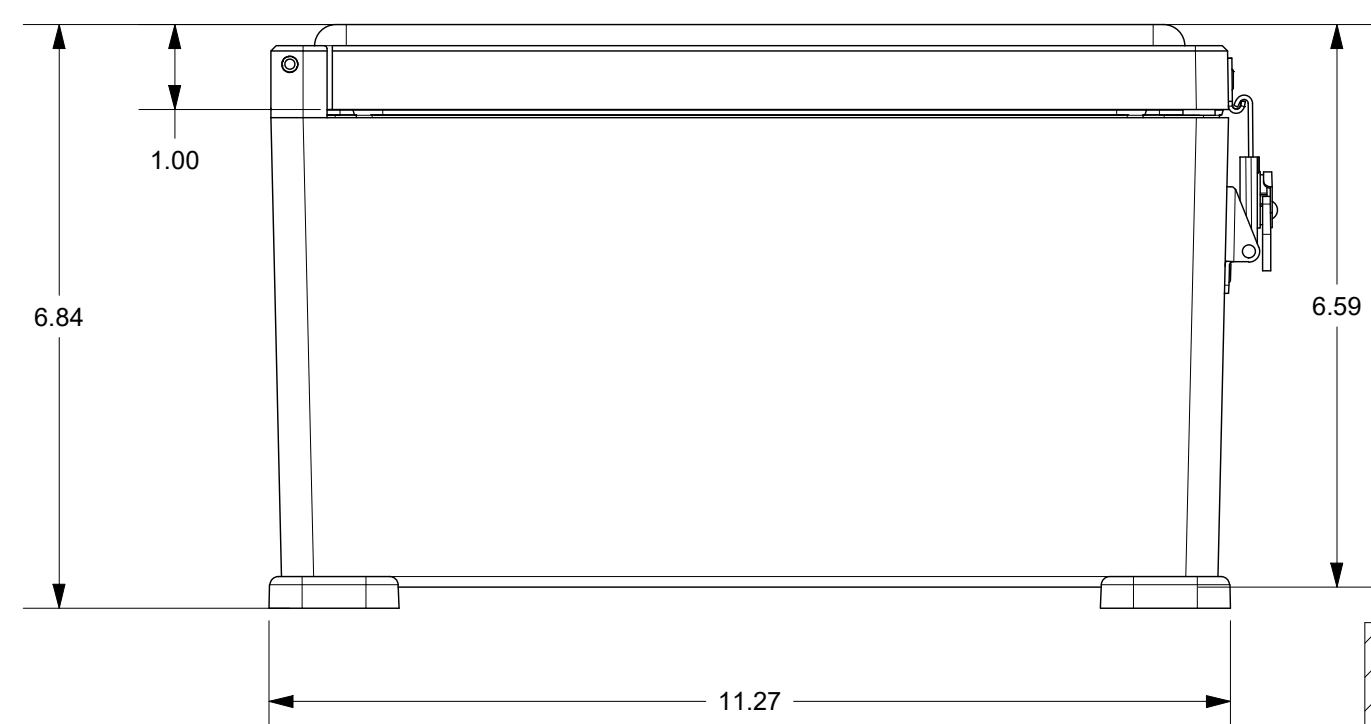
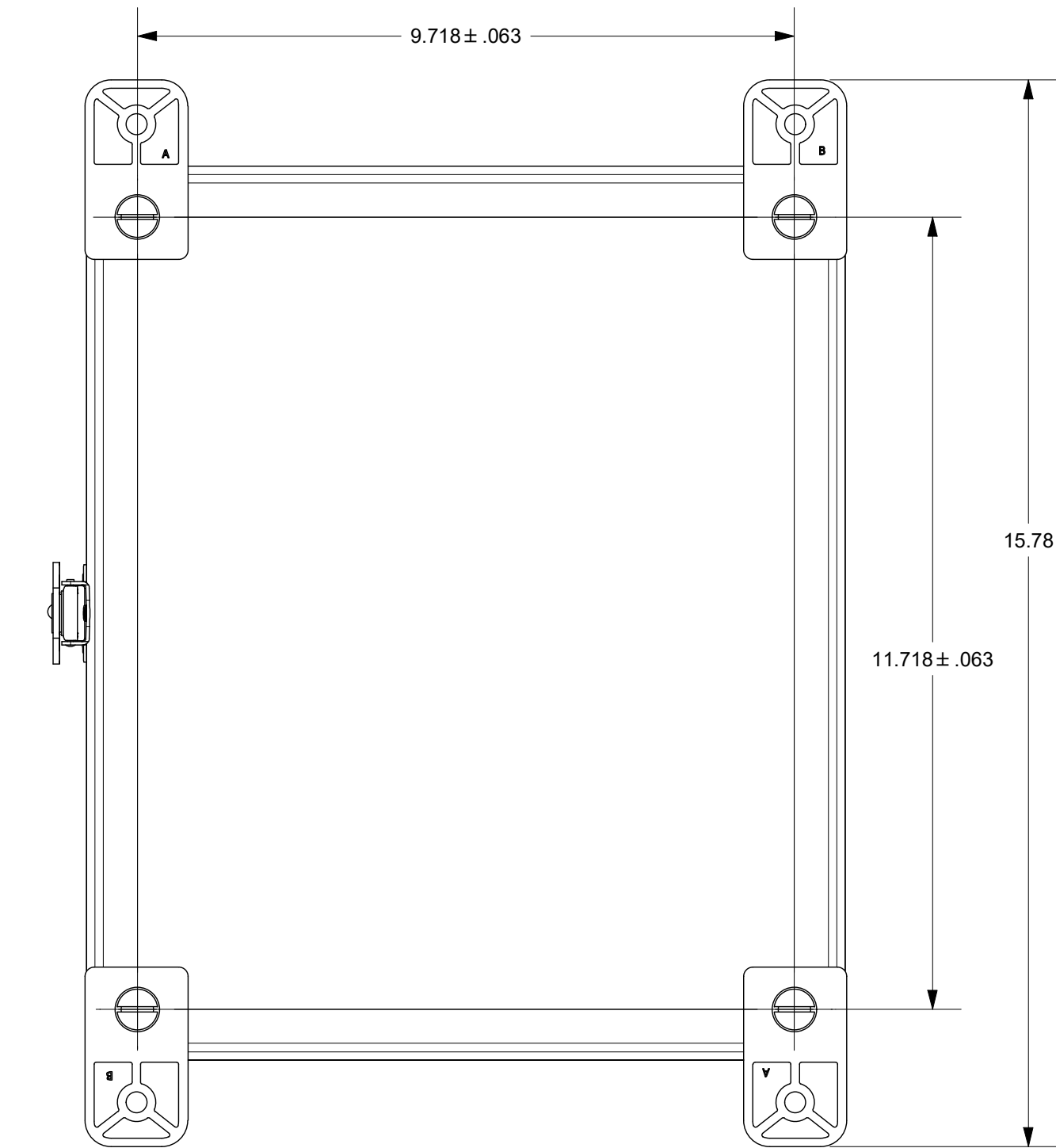
SECTION A-A



FOR REFERENCE ONLY  
MOUNTING FEET SHOWN AS INSTALLED



SECTION B-B



THIS DRAWING IS THE SOLE AND EXCLUSIVE PROPERTY OF ROBROY ENCLOSURES. NO PART OF THIS DRAWING MAY BE REPRODUCED, DISTRIBUTED, OR PUBLICALLY DISPLAYED IN ANY FORM OR BY ANY MEANS WITHOUT THE EXPRESS WRITTEN PERMISSION OF ROBROY ENCLOSURES. ALL RIGHTS RESERVED. UNDER THE COPYRIGHT LAWS. COPYRIGHT © 2018 ROBROY ENCLOSURES.

- SPECIAL REQUIREMENTS**
- ASSEMBLY:  
 1. MOUNTING FEET SHOWN AS INSTALLED - FOR REFERENCE ONLY  
 - SOLD SEPARATELY  
 - CLASSIC SERIES MOUNTING FOOT KIT (FECLMTGFTKIT)  
 - INCLUDES (4) 5/16-18 x 1/2 FLAT HEAD SLOTTED SCREWS (RMSC5/16-18X1/2FL)  
 2. (1) CLASSIC SERIES SCREW PACK (WIP4PKBP) SHALL BE PACKAGED LOOSELY INSIDE ENCLOSURE  
 HARDWARE INCLUDED:  
 - (4) #10-32 x 3/8 PAN HEAD SCREW (RMSC10/32X3/8ZN)  
 - (4) #10 WASHER (RMWAS10ZN)

NEMA 250: TYPE 1, 3, 3S, 3R, 4X, 12		STANDARD P/N: CL1311HLL		ALL DIMENSIONS ARE IN INCHES UNLESS OTHERWISE SPECIFIED		TOLERANCES UNLESS SPECIFIED		.XX ± 0.03 .XXX ± 0.010	
IEC 60529: N/A		CUSTOMER DWG:		DRAWN BY: ARB		DATE: 10/23/18		CUSTOMER:	
COLOR: GLACIER GRAY (WPR3013)				SCALE:		DESCRIPTION:		PART NUMBER:	
COLOR STANDARD: PANTONE 428 C				DO NOT SCALE		STANDARD ENCLOSURE		FECL1311HLL	
<b>MATERIAL: FIBERGLASS REINFORCED POLYESTER (FRP)</b> <b>REVISION HISTORY</b>				<b>STAHLIN</b> A ROBROY ENCLOSURES™ BRAND		<b>Robroy Enclosures</b> 500 Maple Street Belding, Michigan 48809 Phone: 616-794-0700 Fax: 616-749-3378		DWG: CL1311HLL	
REV	DESCRIPTION	DATE	ENG	SCALE		DESCRIPTION		PART NUMBER	
-	UPDATED TOLERANCE FOR MOUNTING FOOT LOCATION	12/8/20	BH			STANDARD ENCLOSURE		FECL1311HLL	
-	-	-	-						
-	-	-	-						
-	-	-	-						