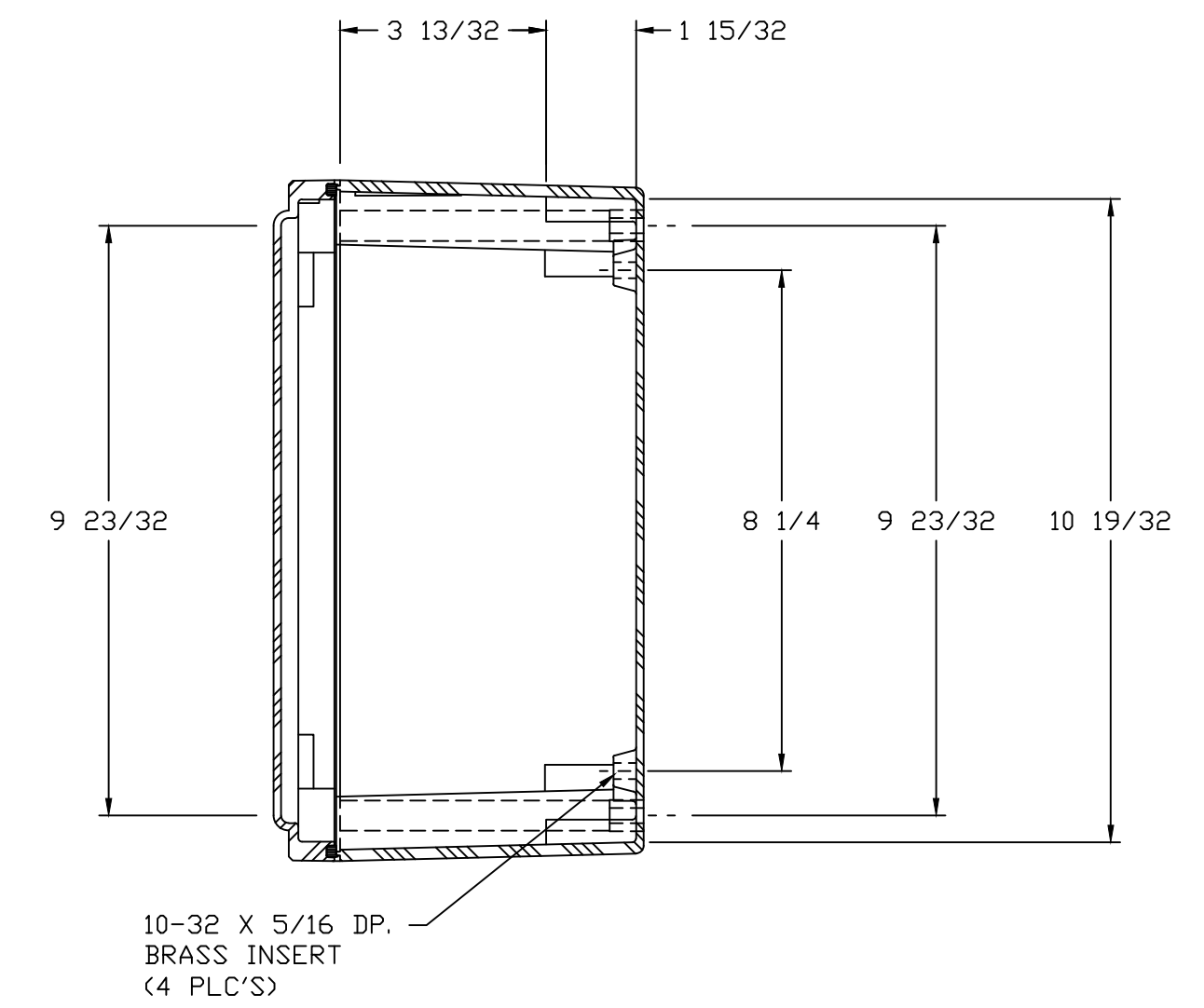
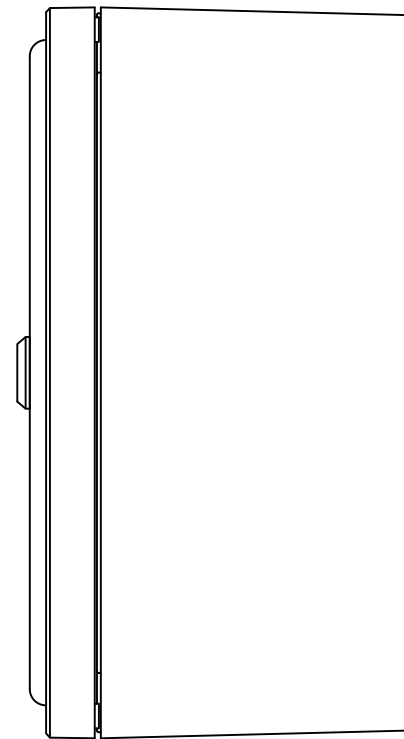
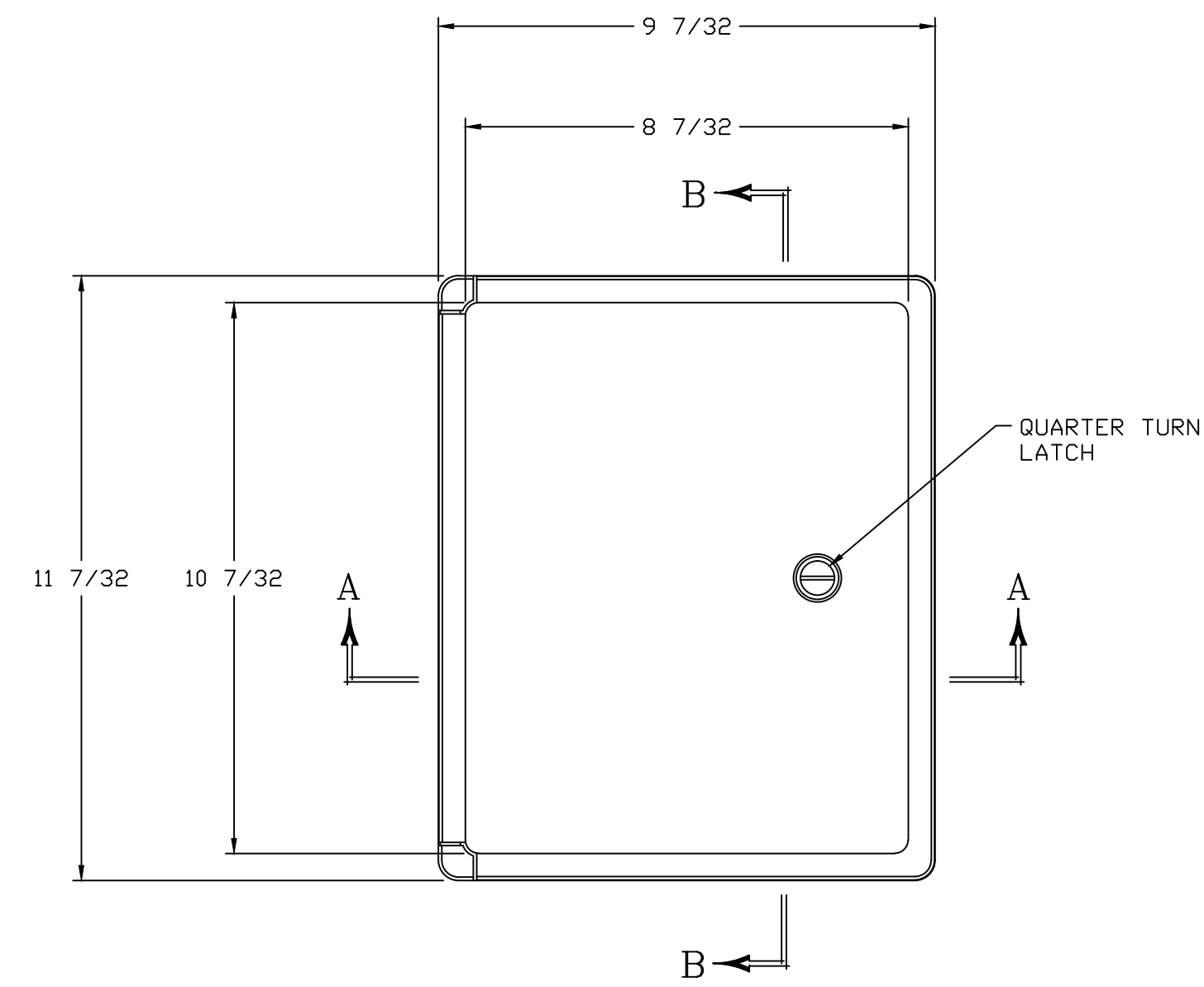
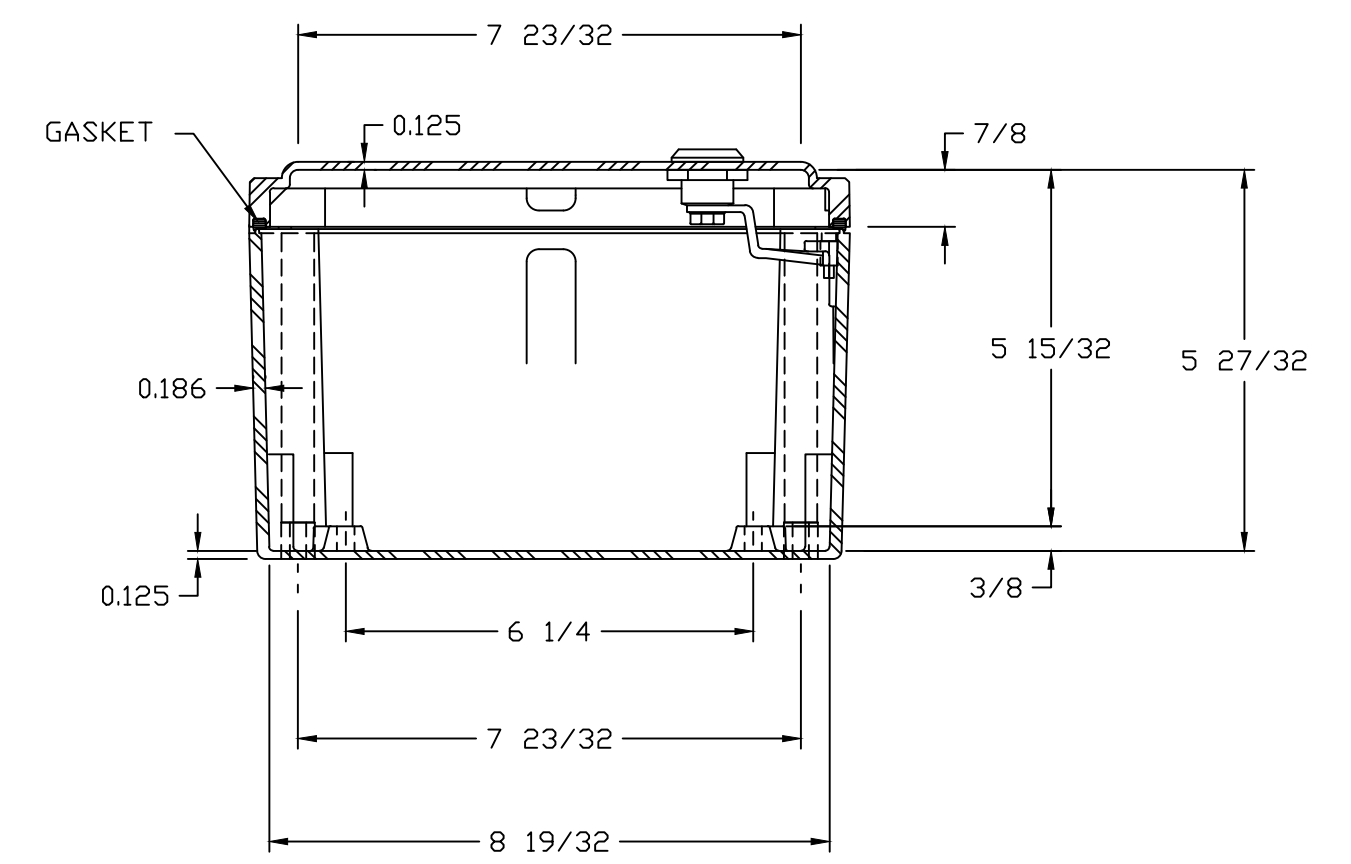
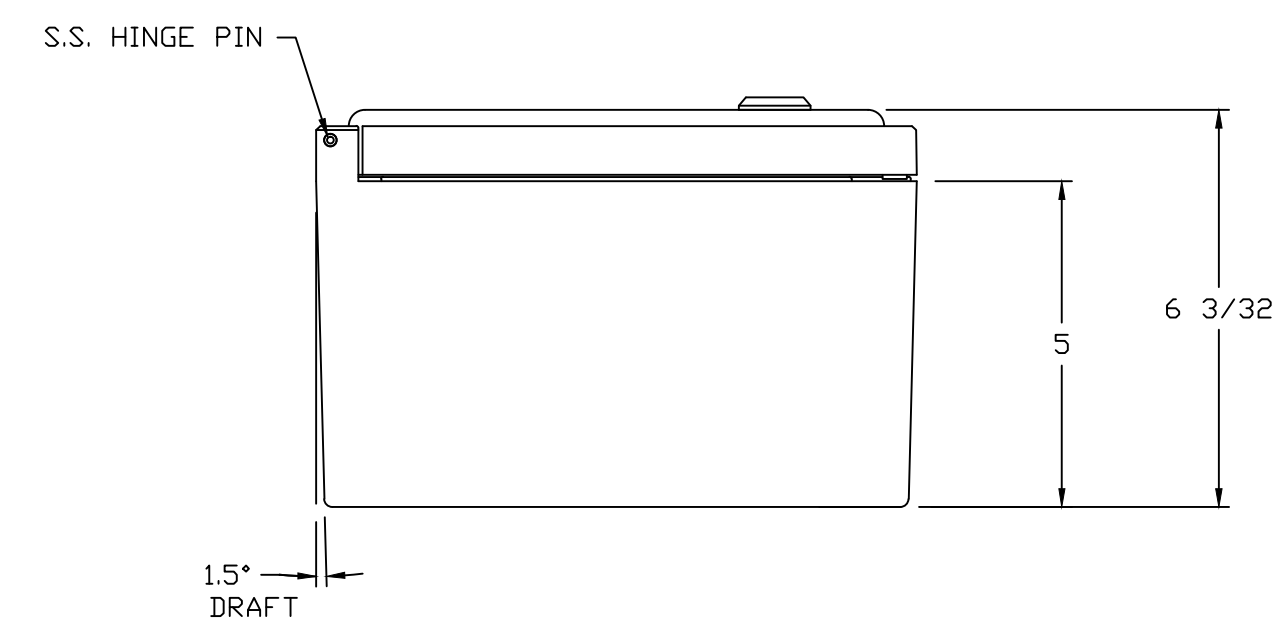


INSIDE VIEW
WITHOUT COVER




SECTION B-B



SECTION A-A

NOTES:

| | | | | | |
|---------------------------|---------------------------|-----------------------------|--------------|---|-------------------|
| NEMA 4X | | TOLERANCES UNLESS SPECIFIED | | DECIMAL ± .010 | FRACTIONAL ± 1/32 |
| COLOR GLACIER GRAY RR1013 | | | | | |
| MATERIAL | F.R. POLYESTER FIBERGLASS | DR. BY | DATE |  BELDING, MICHIGAN 48809 AutoCAD DWG. FILE CL1109HL | |
| LET. | REVISION RECORD | GF | 7/12/96 | | |
| | | CHK. BY | DATE | | |
| | | APD. BY | DATE | CUSTOMER | |
| | | SCALE | DO NOT SCALE | PART NAME | PART NO. |
| | | | | ENCLOSURE | CL1109HL |