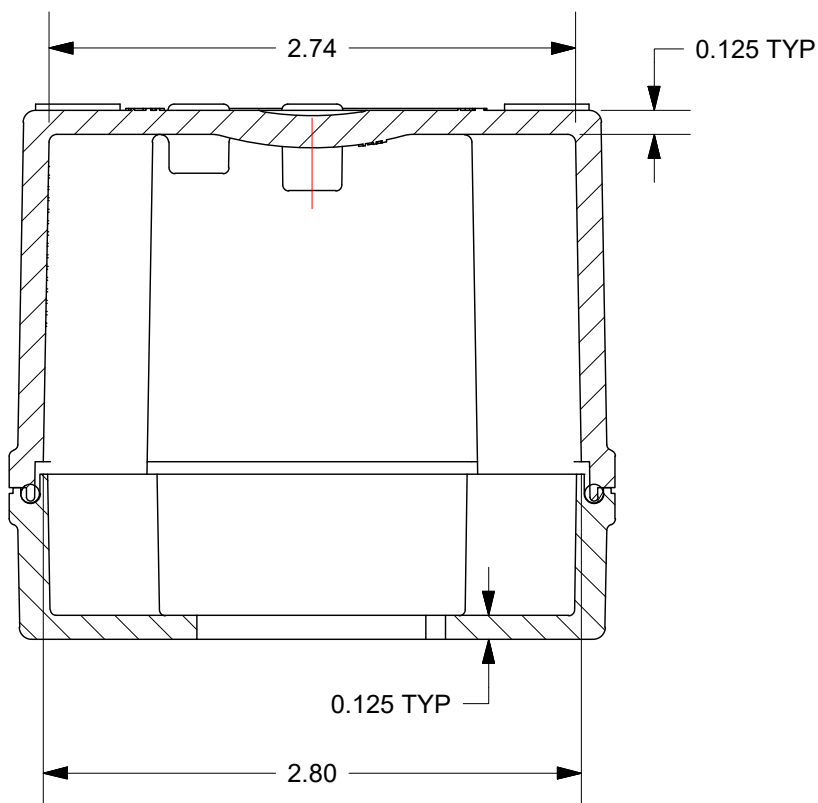
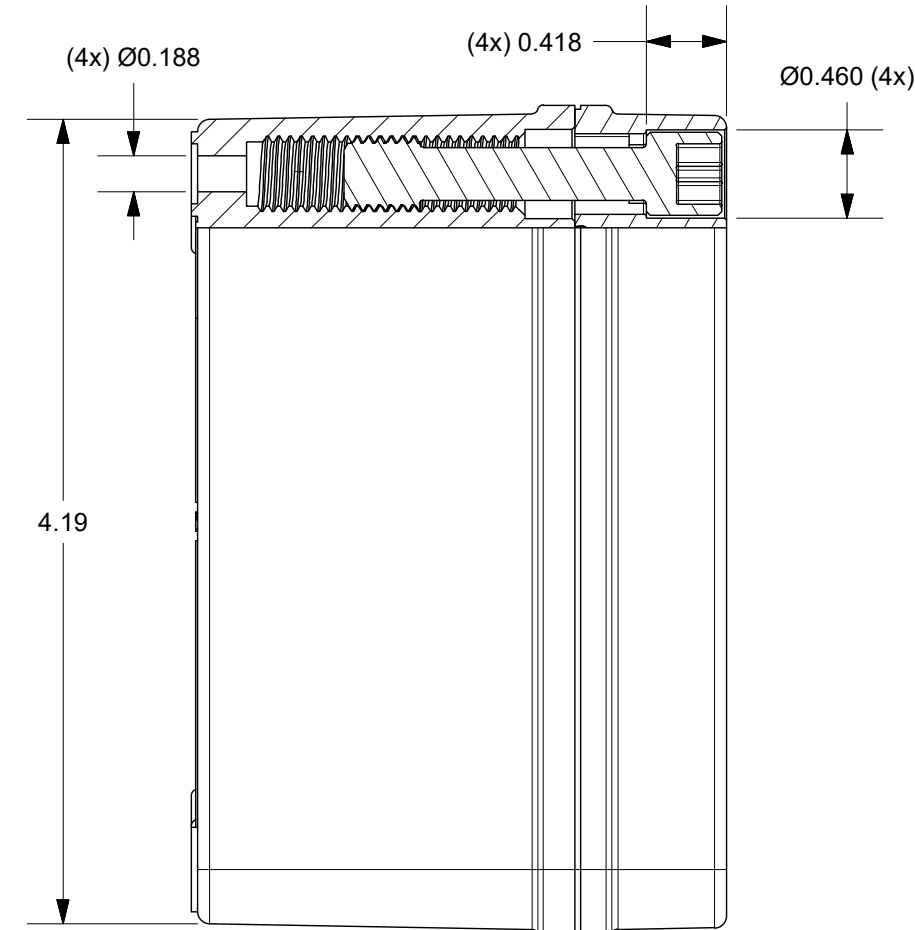
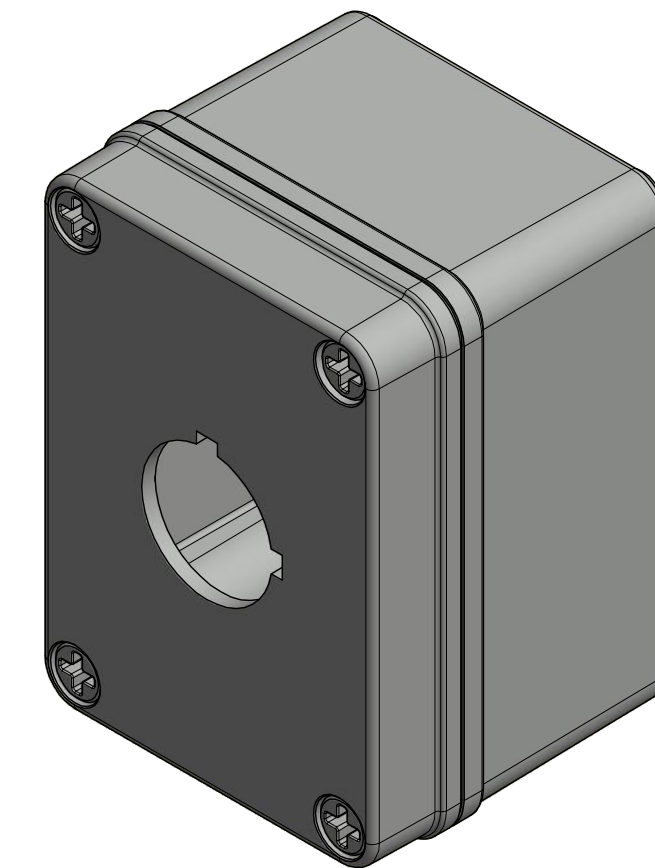


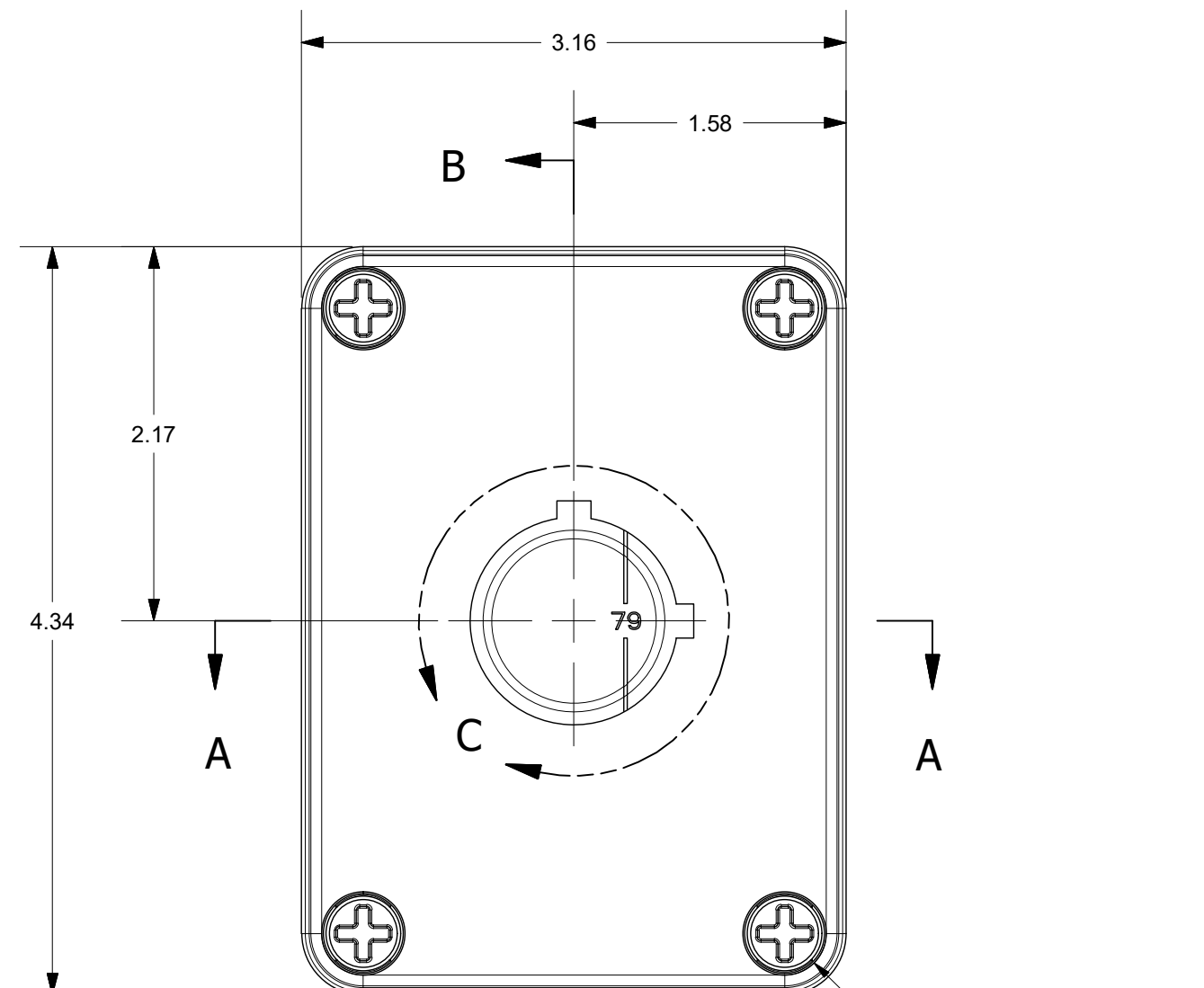
DETAIL C
SOME DETAILS REMOVED FOR CLARITY



SECTION A-A

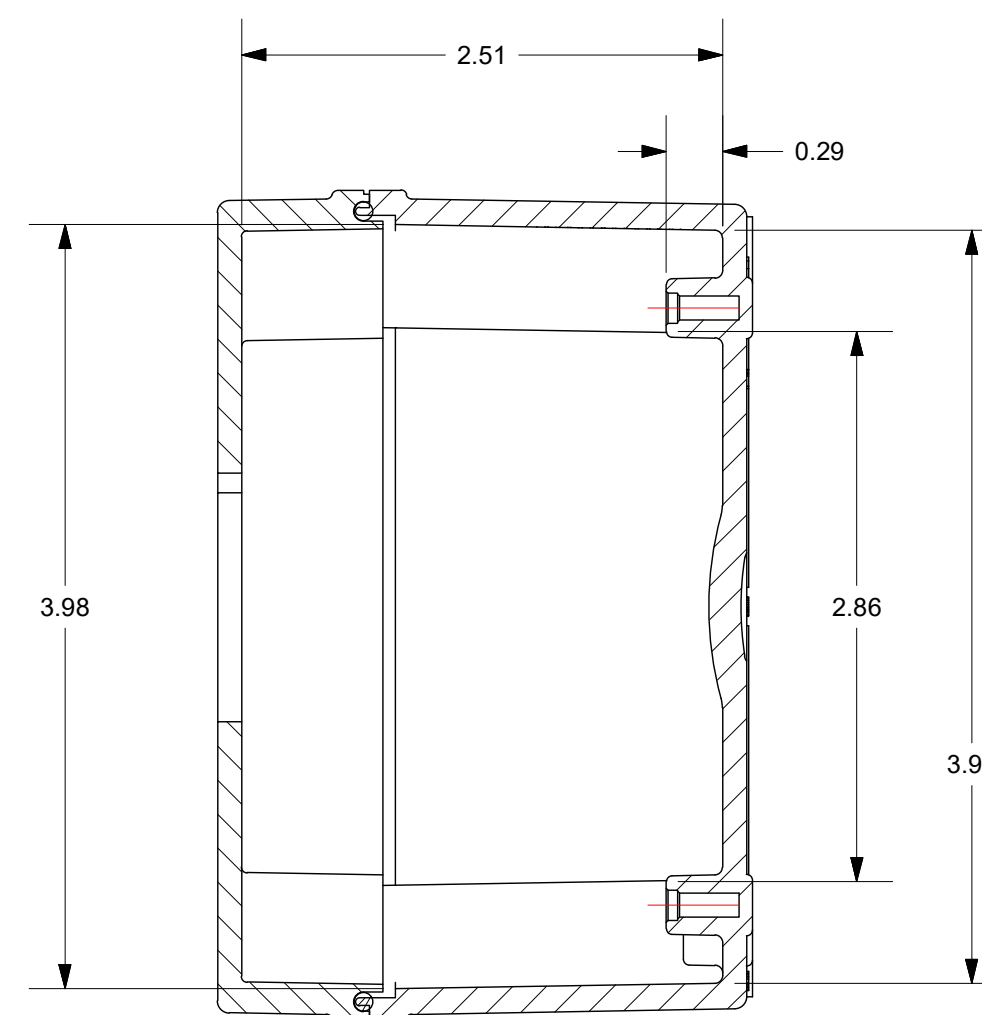


LEFT VIEW

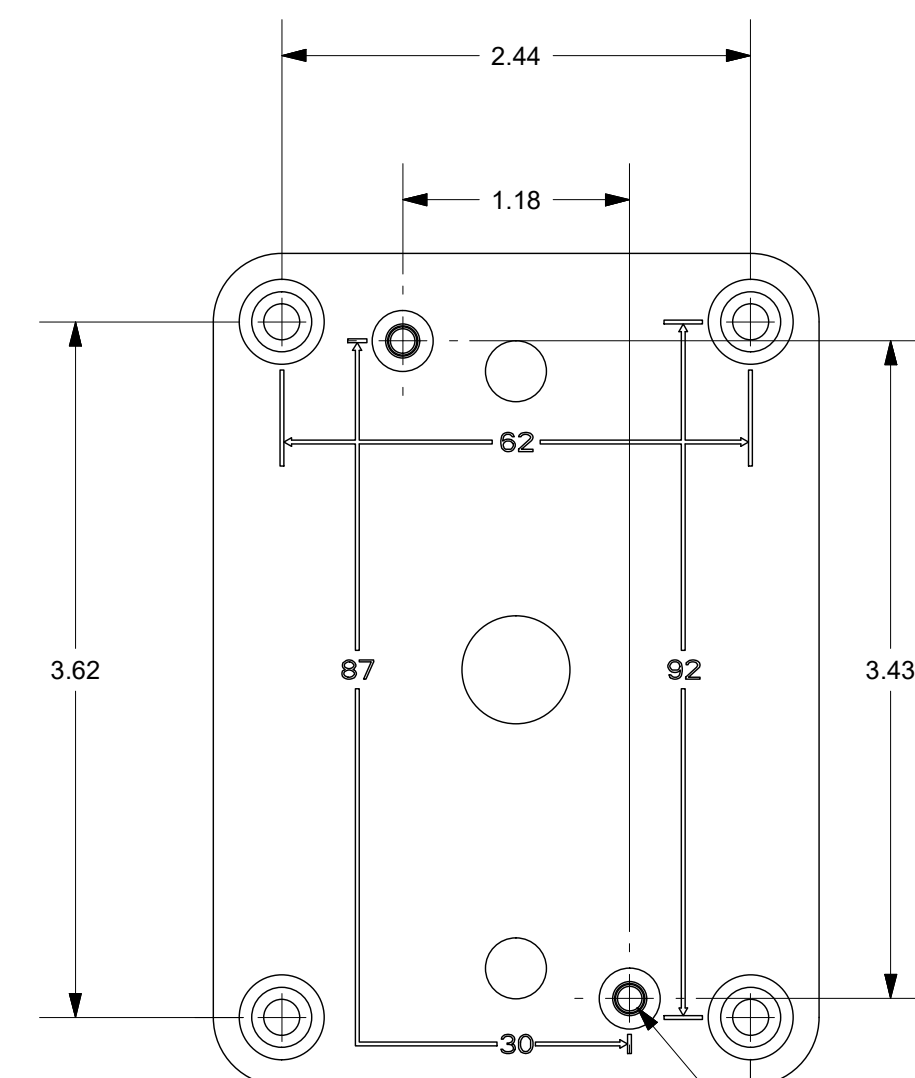


FRONT VIEW

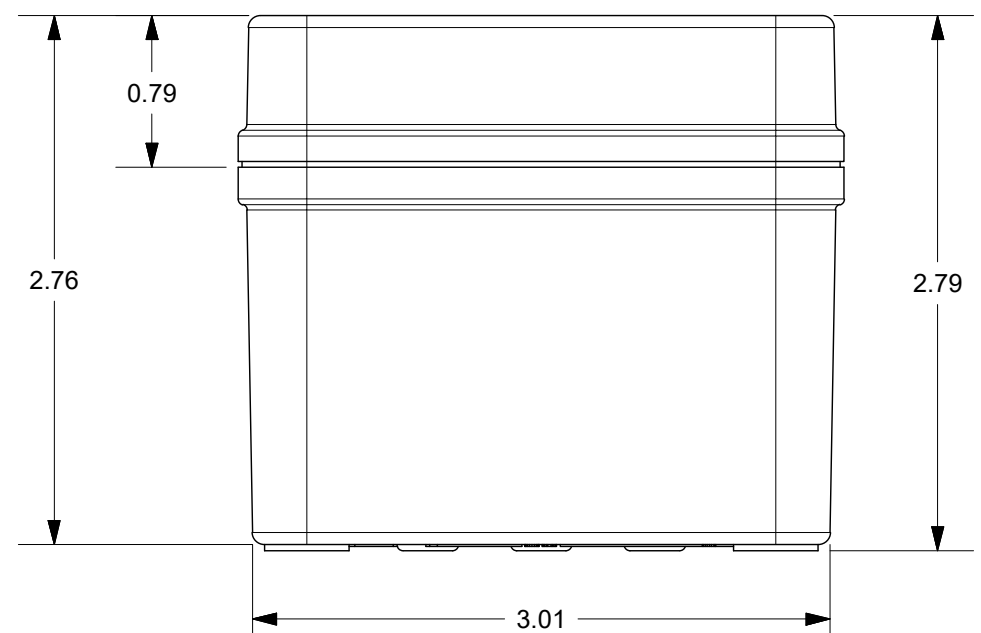
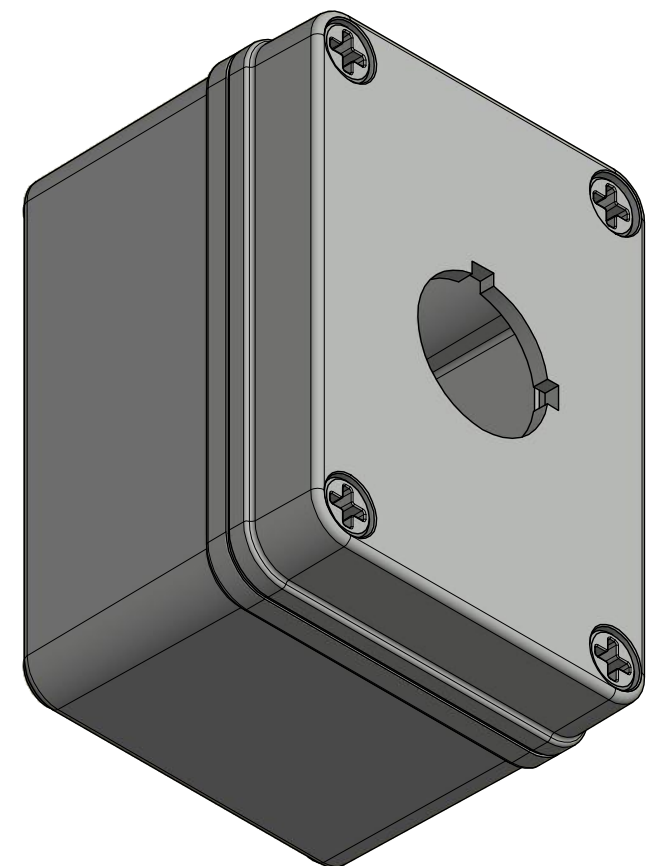
COVER SCREW
CUSTOM POLYCARBONATE
(4X)



SECTION B-B



BACK VIEW



BOTTOM VIEW

THIS DRAWING IS THE SOLE AND EXCLUSIVE PROPERTY OF ROBROY ENCLOSURES. NO PART OF THIS DRAWING MAY BE REPRODUCED, DISTRIBUTED, OR PUBLICALLY DISPLAYED IN ANY FORM OR BY ANY MEANS WITHOUT THE EXPRESS WRITTEN PERMISSION OF ROBROY ENCLOSURES. ALL RIGHTS RESERVED. UNDER THE COPYRIGHT LAWS. COPYRIGHT © 2018 ROBROY ENCLOSURES.

SPECIAL REQUIREMENTS

- END USER NOTES:**
 1. TORQUE COVER SCREWS TO 16 IN.-LBS. TO MAINTAIN RATINGS
 2. OPTIONAL MOUNTING FEET - SOLD SEPARATELY (CFMTGFTKIT)
 3. RECOMMEND #10-24 x 1" - IF MOUNTING BOX THROUGH MOUNTING WELLS

- ASSEMBLY:**
 1. TRIM PRODUCT LABEL TO FIT INSIDE BOX

NEMA 250: TYPE 1, 3R, 4X, 6P, 12 IEC 60529: IP66, IP68		STANDARD P/N: CFPC1PB	ALL DIMENSIONS ARE IN INCHES UNLESS OTHERWISE SPECIFIED	TOLERANCES UNLESS SPECIFIED	.XX ± 0.03	.XXX ± 0.010																																																								
COLOR: N/A COLOR STANDARD: PANTONE 7541 C		CUSTOMER DWG: N/A																																																												
MATERIAL: POLYCARBONATE																																																														
<table border="1"> <thead> <tr> <th colspan="7">REVISION HISTORY</th> </tr> <tr> <th>REV</th> <th>DESCRIPTION</th> <th>DATE</th> <th>ENG</th> <th>SCALE</th> <th>DESCRIPTION</th> <th>PART NUMBER</th> </tr> </thead> <tbody> <tr> <td>-</td> <td>-</td> <td>-</td> <td>-</td> <td>-</td> <td>-</td> <td>-</td> </tr> <tr> <td>-</td> <td>-</td> <td>-</td> <td>-</td> <td>-</td> <td>-</td> <td>-</td> </tr> <tr> <td>-</td> <td>-</td> <td>-</td> <td>-</td> <td>-</td> <td>-</td> <td>-</td> </tr> <tr> <td>-</td> <td>-</td> <td>-</td> <td>-</td> <td>-</td> <td>-</td> <td>-</td> </tr> <tr> <td>-</td> <td>-</td> <td>-</td> <td>-</td> <td>-</td> <td>-</td> <td>-</td> </tr> <tr> <td>-</td> <td>-</td> <td>-</td> <td>-</td> <td>-</td> <td>-</td> <td>-</td> </tr> </tbody> </table>							REVISION HISTORY							REV	DESCRIPTION	DATE	ENG	SCALE	DESCRIPTION	PART NUMBER	-	-	-	-	-	-	-	-	-	-	-	-	-	-	-	-	-	-	-	-	-	-	-	-	-	-	-	-	-	-	-	-	-	-	-	-	-	-	-	-	-	-
REVISION HISTORY																																																														
REV	DESCRIPTION	DATE	ENG	SCALE	DESCRIPTION	PART NUMBER																																																								
-	-	-	-	-	-	-																																																								
-	-	-	-	-	-	-																																																								
-	-	-	-	-	-	-																																																								
-	-	-	-	-	-	-																																																								
-	-	-	-	-	-	-																																																								
-	-	-	-	-	-	-																																																								
DRAWN BY: AA		DATE: 6/8/18	CUSTOMER		DWG: CFPC1PB																																																									
DO NOT SCALE		STANDARD ENCLOSURE		PART NUMBER: FECFPC1PB																																																										

Robroy Enclosures
 500 Maple Street
 Belding, Michigan 48809
 Phone: 616-794-0700
 Fax: 616-749-3378