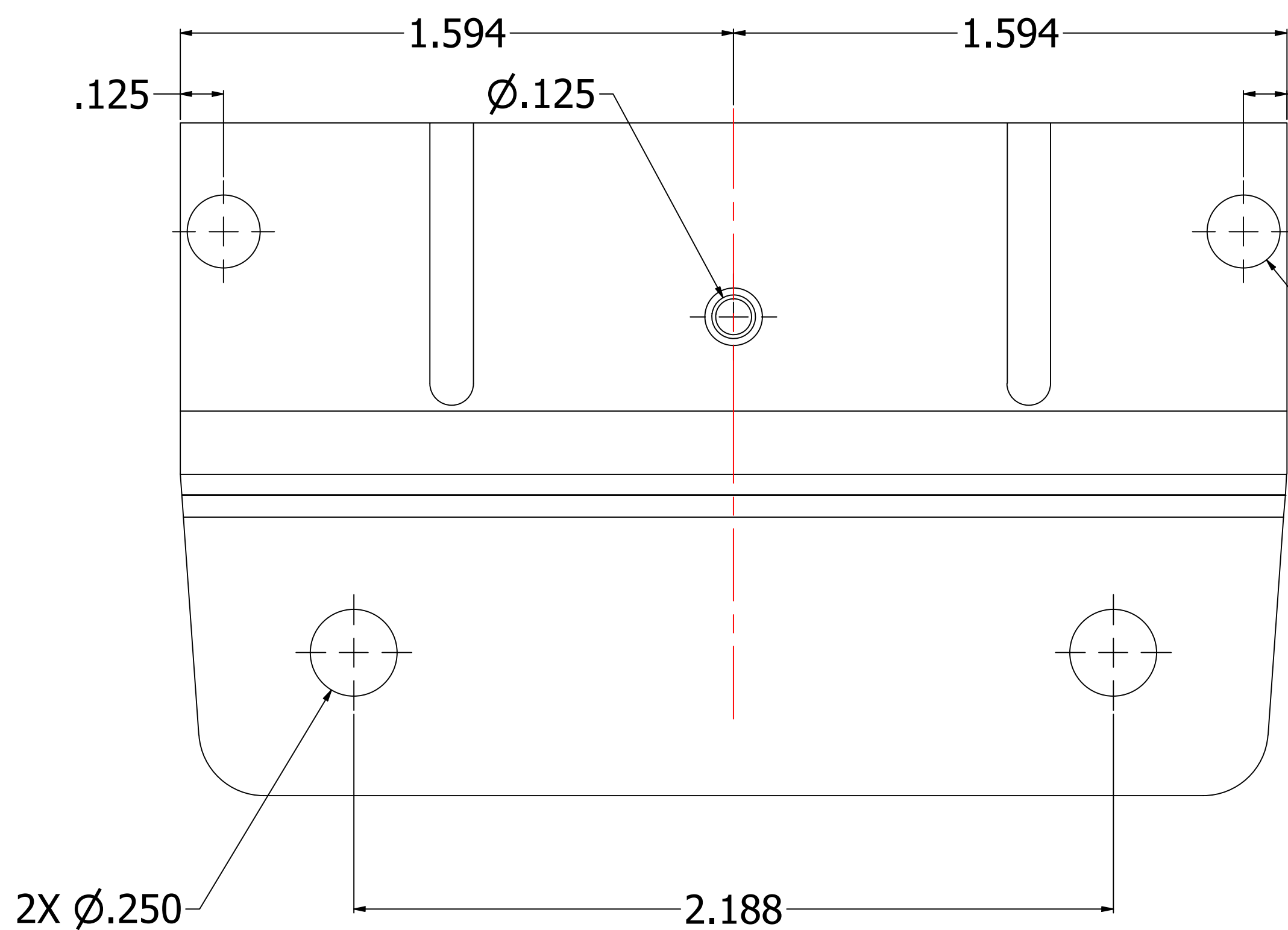


TABLE	
SIZE ID	COMPATIBILITY
CF1PB	WITH BOSSES
CF2PB	WITH BOSSES
CF3PB	WITH BOSSES
CF4PB	WITH BOSSES
CF644	WITH BOSSES
CF844	WITH BOSSES
CF1144	WITH BOSSES
CF5PB	BOSSES REMOVED
CF6PB	BOSSES REMOVED
CF332	BOSSES REMOVED
CF532	BOSSES REMOVED
CF832	BOSSES REMOVED
CF932	BOSSES REMOVED
CF1432	BOSSES REMOVED
CF1732	BOSSES REMOVED

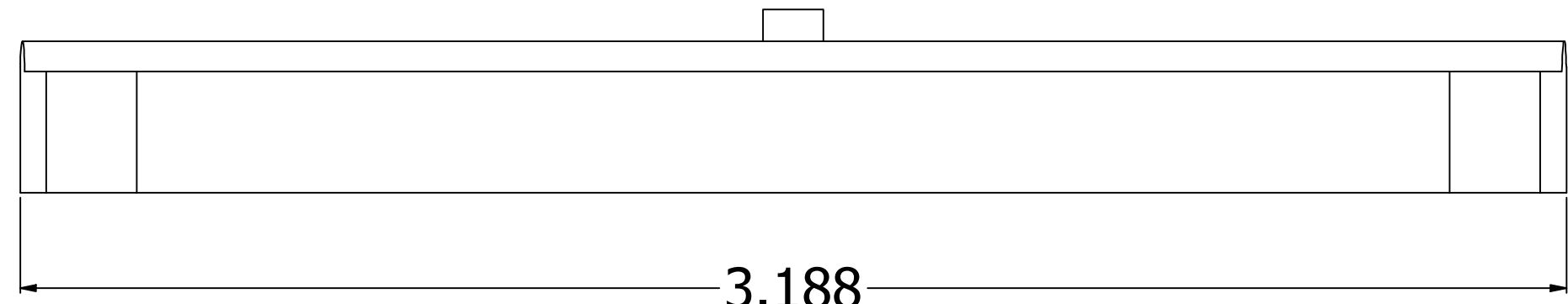
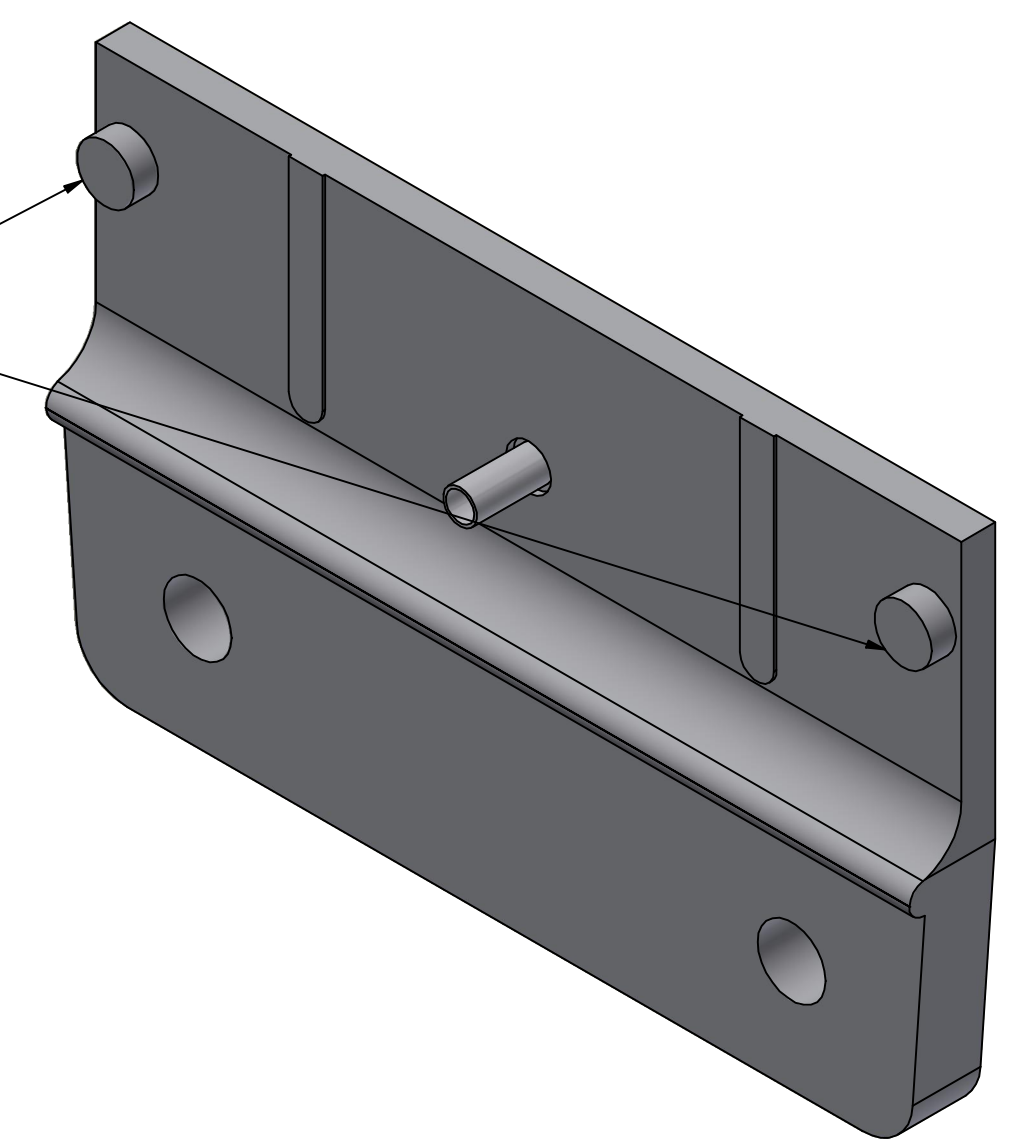
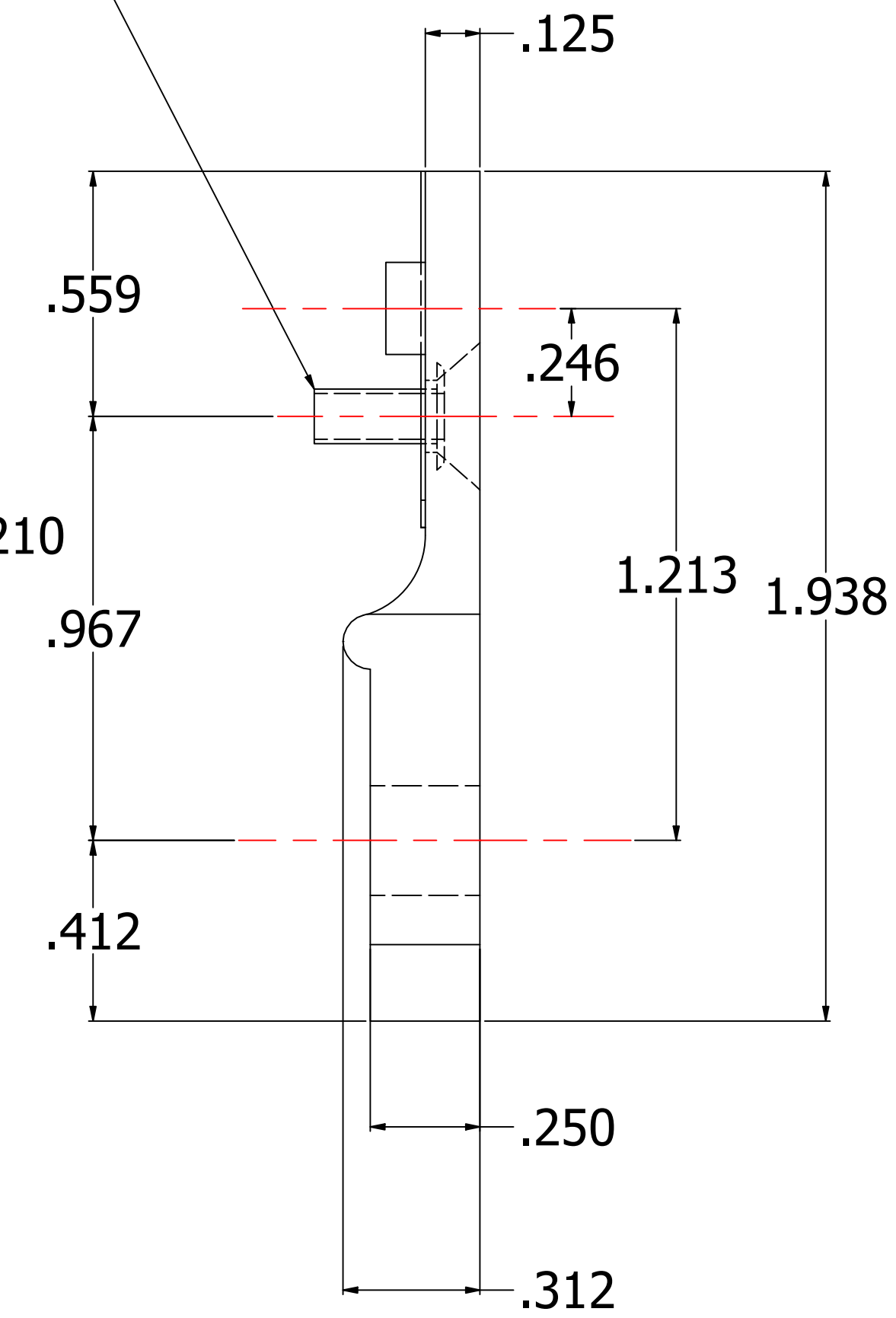


FOR ENCLOSURES 'BOSSES REMOVED,'
SAND OR GRIND LOCATING BOSSES OFF OF FOOT.

(2) RIVETS [INCLUDED]

2X Ø.210

2X Ø.250



REVISION HISTORY			
REV	DESCRIPTION	DATE	ENG
-	-	-	-
-	-	-	-

THE INFORMATION CONTAINED IN THIS DRAWING IS THE SOLE PROPERTY OF ROBROY INDUSTRIES. ANY REPRODUCTION IN PART OR WHOLE WITHOUT THE WRITTEN PERMISSION OF ROBROY INDUSTRIES IS PROHIBITED. ALL RIGHTS RESERVED UNDER THE COPYRIGHT LAWS. COPYRIGHT © 2024, ROBROY INDUSTRIES. ROBROY INDUSTRIES VALUES AND PROTECTS ITS INTELLECTUAL PROPERTY. FOR MORE INFORMATION VISIT www.robroy.com/patents	SPECIAL REQUIREMENTS INCLUDED HARDWARE: <ul style="list-style-type: none"> (2) WPMF44 MOUNTING FOOT MOUNTING FEET (2) RMRIV44 RIVET INSTALLATION: <ul style="list-style-type: none"> MARK RIVET HOLE LOCATION TO DRILL. DRILL HOLE WITH #30 DRILL 	NEMA 200 TYPE: N/A IEC 60529: N/A STANDARD FIN: CFMTGFTKIT COLOR: GLACIER GRAY (WPRID5013) COLOR STANDARD: PANTONE 428 C MATERIAL: FIBERGLASS REINFORCED POLYESTER (FRP)	ALL DIMENSIONS ARE IN INCHES UNLESS OTHERWISE SPECIFIED TOLERANCES UNLESS SPECIFIED XX ± 0.03 XXX ± 0.010	STAHLIN A ROBROY ENCLOSURES™ BRAND Robroy Enclosures 500 Maple Street Belding, Michigan 48809 Phone: 616-794-0700 Fax: 616-749-3378
DRAWN BY: JWH DATE: 7/31/24 SCALE: DO NOT SCALE	CUSTOMER: ROBROY DESCRIPTION: STANDARD MOUNTING FOOT	PART NUMBER: FECMTGFTKIT	DRAWING: CFMTGFTKIT	