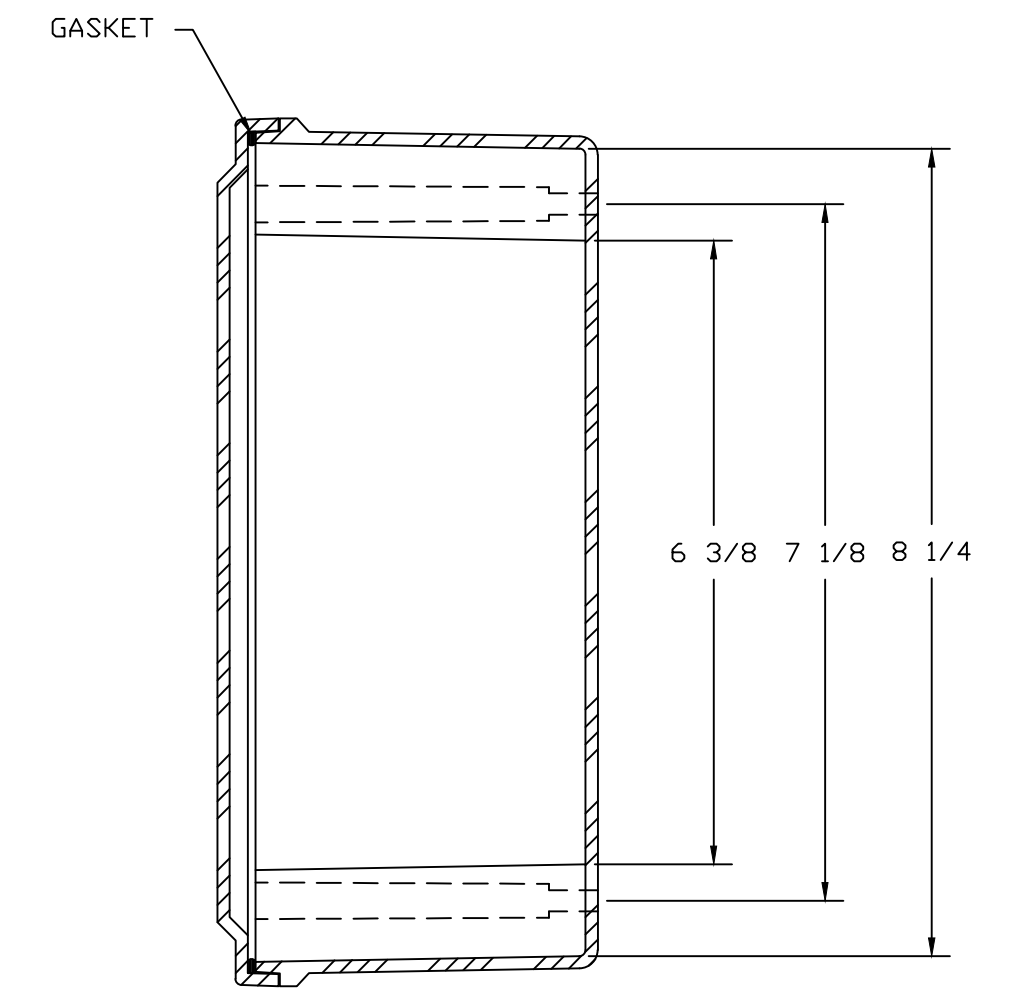
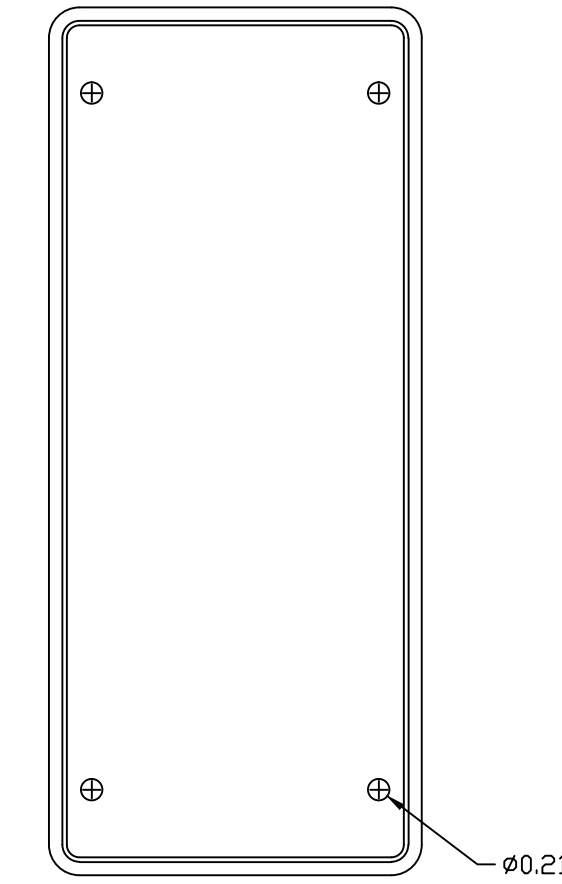
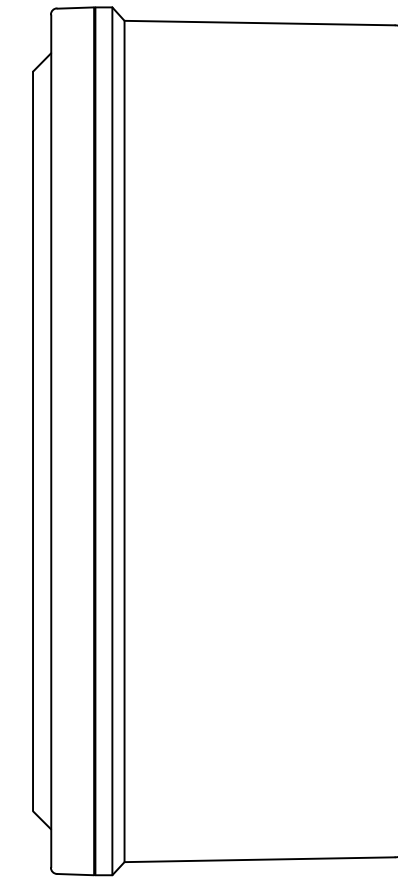
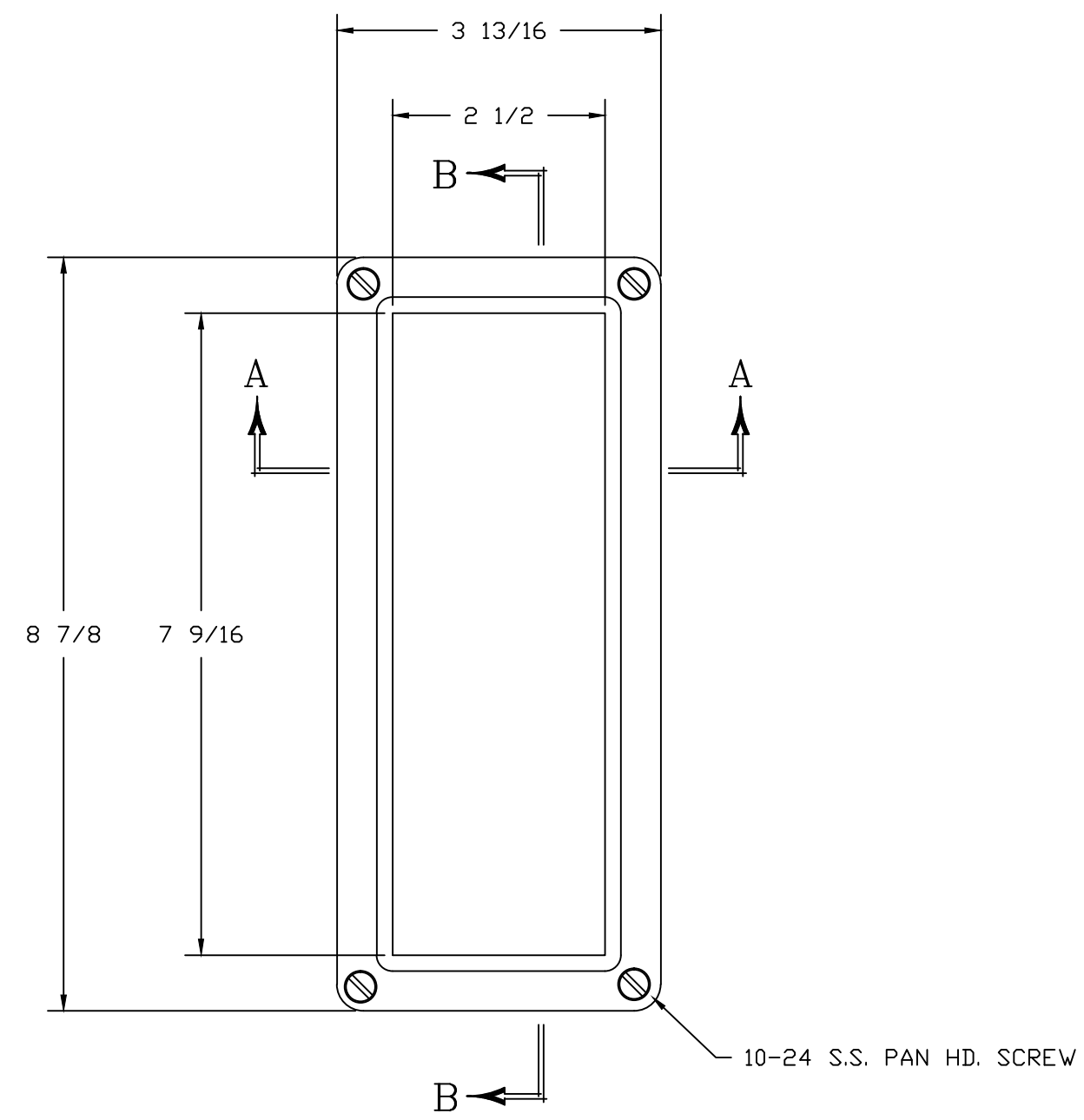
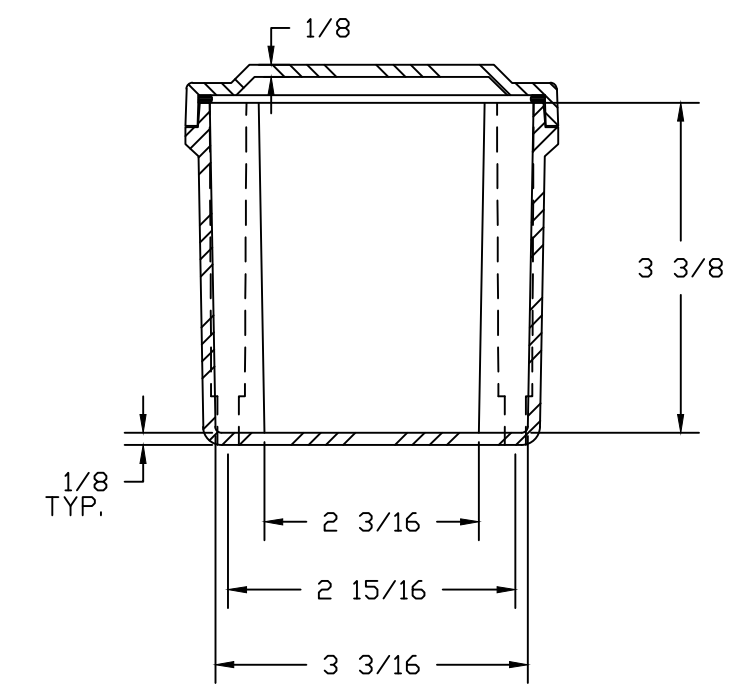
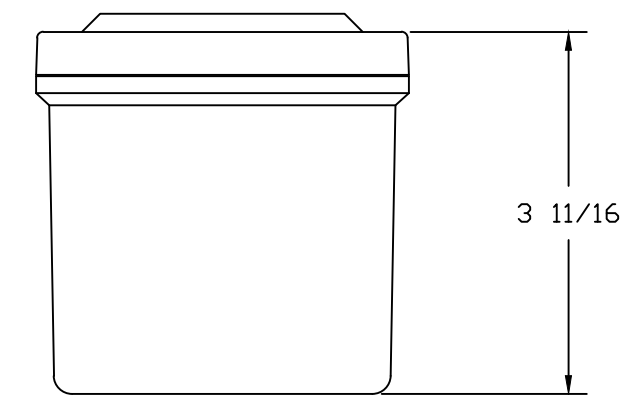



TOP VIEW
WITHOUT COVER



SECTION B-B



SECTION A-A

NOTES:										
NEMA 4X					TOLERANCES UNLESS SPECIFIED		DECIMAL ±.010	FRACTIONAL ± 1/32		
COLOR GLACIER GRAY RR1013										
MATERIAL			DR. BY	DATE	CHK. BY		DATE	 STAHLIN ENCLOSURES <small>DIVISION OF ROBROY INDUSTRIES</small>		
F.R. POLYESTER FIBERGLASS			SH	7/17/91						
LET.	REVISION RECORD		DATE	BY	CHD.	APD. BY	DATE	CUSTOMER		AutoCAD DWG. FILE
										CF844
SCALE			PART NAME		PART NO.					
DO NOT SCALE			ENCLOSURE		CF844					