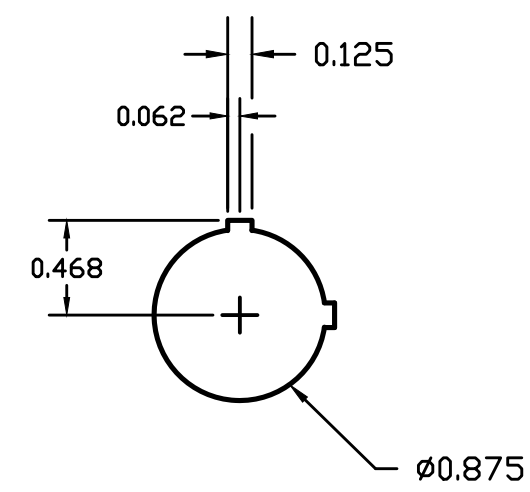
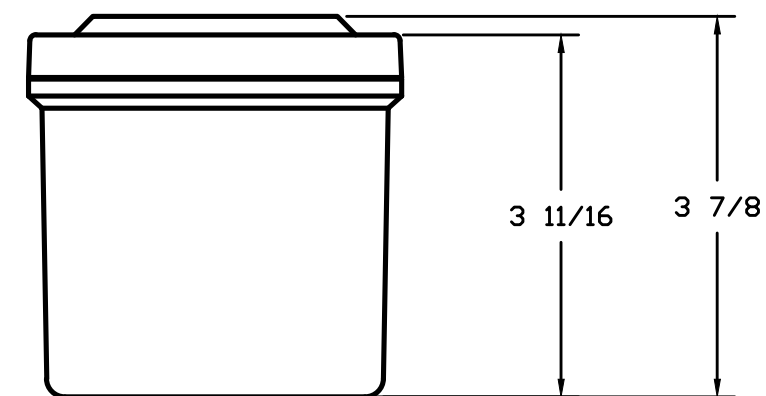
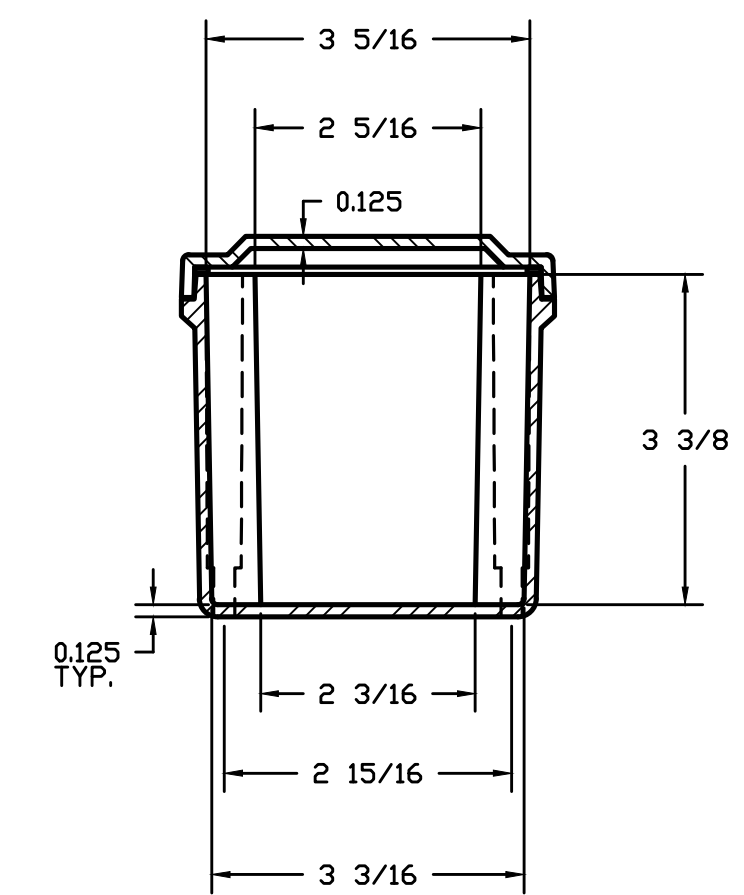


SECTION B-B




HOLE DETAIL
3 PLC'S.



SECTION A-A

NOTES:

NEMA 4X COLOR: GLACIER GRAY RR1013						TOLERANCES UNLESS SPECIFIED		DECIMAL ±.010	FRACTIONAL ± 1/32
GROUND STRAP TO BE FURNISHED WITH ENCLOSURE						DR. BY SH		DATE 7/17/91	 BELDING, MICHIGAN 48809
MATERIAL F.R. POLYESTER FIBERGLASS						CHK. BY		DATE	
LET.	REVISION RECORD	DATE	BY	CHD.	APD. BY	DATE	CUSTOMER		AutoCAD DWG. FILE CF2PB-22
SCALE DO NOT SCALE						PART NAME ENCLOSURE		PART NO. CF2PB-22	