

Enclosures **PolyStar Series**

## Polycarbonate Enclosure 10 x 10 x 6 Inches PolyStar Series with Opaque Cover



**Catalog Number**

PC1010

**UPC**

785928564710.0

List Price

**\$198.03**

### DESCRIPTION

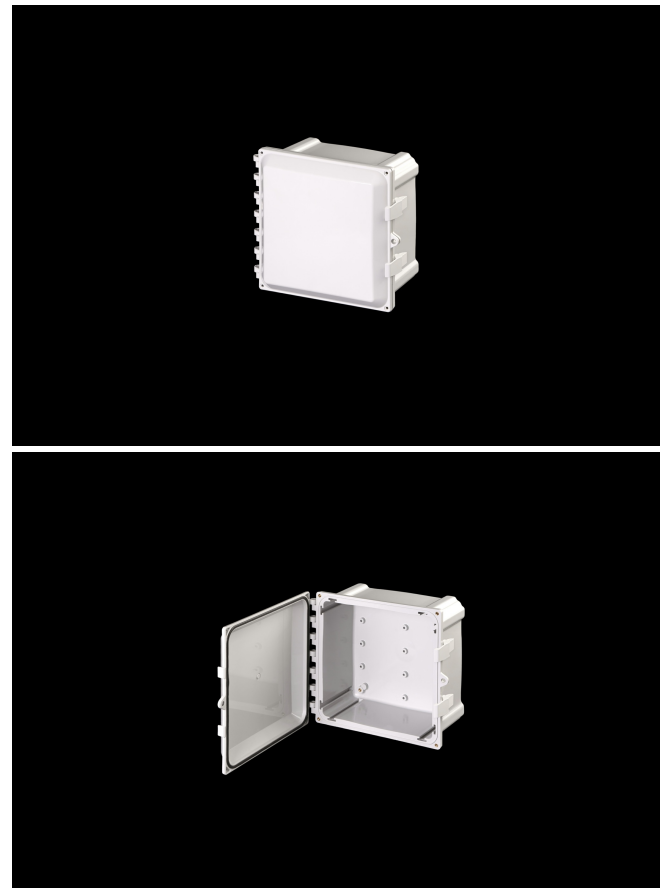
10H x 10W x 6D Inches PolyStar Polycarbonate Enclosure with an Opaque Cover Configuration (Hinged, Latched, Padlockable) are designed for outdoor and indoor applications. They carry and "F1" Rating per UL 746C, passing all tests for UV exposure and water immersion. PolyStar enclosures are self-extinguishing, non-halogenated and non-flame propagating.

### APPLICATION

Suitable for heavy industrial; commercial; and OEM applications

### FEATURES

- Latches and hinges do not penetrate enclosure



- Easy to remove lid
- High performance inserts
- Integrated padlock hasp
- Flush-fit side mount swing panel and DIN rail system
- Molded in bosses
- Multi-directional mounting feet
- Single SKU with multiple cover attachment options
- Back Panels Available for all sizes

## General Information

Color	Gray
Cover Type	Opaque
Material	Polycarbonate
Back Panel Screw Size	#10-32 x 3/8
Back Panel Recommended Torque	16-20 in-lbs
Back Panel Screw Material	Zinc Plated
Cover Screw Size	#10-32 x 5/8
Cover Screw Recommended Torque	20-24 in-lbs
Cover Screw Material	304 SS
Mounting Foot Screw Size	1/4-20 x 1/2
Mounting Foot Screw Recommended Torque	10-14 in-lbs
Installation Mounting Torque	25-30 in-lbs Max
Metal Inserts	Brass
Hinge Material	Integral Polycarbonate
Latch Material	Polycarbonate
Gasket Material	Poured In Place (PIP) Polyurethane Seamless
Country of Origin	USA

## DIMENSIONS

---

Height (in)	10.0
Width (in)	10.0
Depth (in)	6.0
Height (mm)	254.0
Width (mm)	254.0
Depth (mm)	152.4
Usable Depth (in)	5.7
Usable Depth (mm)	144.0

## STANDARDS

---

NEMA 10250; UL 50; UL 50e; UL508A	cULus Listed File #E319779
CSA Std. C22.2	cULus Listed File #E319779
Type	1; 3R; 4; 4X; 6P; 12
IEC 60529; UL Listed #E362920	IP66; IP68
Temperature Range °F	-40°F to +248°F
Temperature Range °C	-40°C to +120°C
Flammability Rating	UL94-5VA
Outdoor Exposure UL746c	(f1) Rated
CE	Certified